



Microplex M307 Print Server
Installation and Configuration Guide

Version 2.0

Copyright © 1991-2010 Microplex Systems Limited.

All rights reserved.

No patent liability is assumed with respect to the use of the information contained herein. While every precaution has been taken in the preparation of this manual, Microplex Systems Ltd. assumes no liability for errors or omissions contained herein or for any damages in connection with the performance or use of this material.

All rights reserved. All other product names are trademarks of their respective manufacturers or providers.

This manual was written, illustrated, and produced using FrameMaker workstation publishing software.

Rev:2.02/2010

Made in Canada.

Microplex Systems Ltd.
301 - 2071 Kingsway Avenue
Port Coquitlam, B.C. V3C 6N2
<http://www.microplex.com/>
P/N 79-307-002

Table of Contents

	List of Tables	vi
	List of Figures	vii
1	Overview of the Manual	8
	Contents of the Manual.....	8
	Documentation Conventions	9
2	Introduction to the M307 Print Server	10
	What is the M307?.....	10
	Physical Features	10
	How Does the M307 Work?.....	11
	Product Features	12
3	Installing the M307	13
	Site Requirements.....	13
	Unpacking the M307	13
	Connecting the M307 to a Network and Printer.....	14
4	Configuration Tools	17
	M307 Utilities.....	17
	TCP/IP Commands	19
5	Configuring the M307 on Your Network	20
	Required TCP/IP Settings.....	21
	Optional TCP/IP Settings	25
	Troubleshooting Tips.....	26
6	Configuring Printers in Windows.....	28
	M307 Configuration Requirements	28
	Creating an LPR Printer (Windows NT/2000/XP/2003).....	28
	Creating an LPR Printer on Windows 2000/XP/2003.....	29
	Installing LPR Network Software on Windows NT4.....	30
	Creating an LPR Printer on Windows NT4.....	31
	Changing Destination Names on Windows NT/2000/XP	32
	Troubleshooting Tips.....	35
7	Configuring Printers in UNIX.....	38
	Environment Description.....	38
	M307 Configuration Requirements	39
	Assign an IP Address Using RARP or BOOTP	40
	Manual LPR/LP Host Setup	42
	HP SAM Setup	44
	Printing from AIX	45
	Printing Using the FTP Daemon	48
	Direct Socket Printing	49
	Troubleshooting Tips.....	49

8	Configuring Printers in Mac OS X	52
	Environment Description.....	52
	M307 Configuration Requirements.....	53
	Printer Configuration.....	53
	Troubleshooting Tips.....	54
9	Configuring Printers on a Novell Server	55
	Environment Description.....	55
	M307 Configuration Requirements.....	56
	Printer Configuration.....	56
10	Using HTML Pages to Configure the M307	58
	Accessing the M307 HTML Pages.....	58
	M307 Home Page.....	59
	Network Forms.....	60
	Print Path Forms.....	61
	I/O Port Forms.....	65
	Administration Form.....	66
	Status Pages.....	67
	Restart Page.....	68
	Help Page.....	69
11	Reference Information	70
	M307 Command Line Interface Shell (npsh).....	70
	Complete Command Reference.....	73
	M307 Naming Scheme.....	94
	User Accounts and Permissions.....	95
	Resetting to Factory Defaults.....	95
	Performing Firmware Upgrades.....	96
12	Extra Features/Additional Information	97
	Print Server Architecture.....	97
	General Options.....	101
	M307 Security.....	102
	Printer Monitoring and Logging.....	105
	Using FTP Daemon to Access the M307.....	107
	Managing with SNMP.....	113
	Troubleshooting Tips.....	117
13	M307 Specifications	118
	Physical Features.....	118
	Electrical Details.....	119
	M307 LEDs.....	120
	Network Interfaces.....	120
	Printer Support.....	121
	Software Specifications.....	124
14	Getting Help	128
	Help Methods Available.....	128
	Repair Procedure.....	129

15 Glossary 132

LIST OF TABLES

Table 1:	M307 Packing List.....	13
Table 2:	M307 PPO Packing List.....	13
Table 3:	M307 Dipswitch Settings.....	16
Table 4:	Common Commands.....	72
Table 5:	Debug Command Options.....	74
Table 6:	List Command Options.....	75
Table 7:	Set Command Options.....	76
Table 8:	Store Command Options.....	87
Table 9:	Miscellaneous Commands.....	91
Table 10:	Model Types.....	99
Table 11:	Key Printer Logging Terms.....	105
Table 12:	STAT LED Patterns.....	120
Table 13:	NET LED Patterns.....	120
Table 14:	UTP (RJ45) Connector Pinout.....	121
Table 15:	Parallel Port (PRN) Pinout.....	121
Table 16:	Parallel Port Timing in Fast Mode.....	122
Table 17:	Parallel Port Timing in Other Modes.....	123
Table 18:	Definition of Parameters (except Fast Mode).....	124
Table 19:	Variable Definitions.....	126

LIST OF FIGURES

Figure 1:	Print Path Components.....	11
Figure 2:	M307/M307 PPO Front View: Parallel Port Connection	14
Figure 3:	M307 Rear View	14
Figure 4:	M307 PPO Rear View.....	14
Figure 5:	M307 HTML Menu Structure.....	18
Figure 6:	Network TCP/IP Form	22
Figure 7:	Waldo Main Screen.....	23
Figure 8:	Add LPR-compatible Printer Dialog Box	29
Figure 9:	Port Settings	30
Figure 10:	Add LPR-compatible Printer Dialog Box	31
Figure 11:	Windows NT/2000/XP LPR Print Setup Dialog Box	32
Figure 12:	Print Path Form	34
Figure 13:	UNIX Integration	39
Figure 14:	Mac OS Integration.....	52
Figure 15:	Novell Integration	55
Figure 16:	M307 HTML Menu Structure.....	59
Figure 17:	M307 Home Page.....	60
Figure 18:	Network TCP/IP Form for Ethernet Networks	60
Figure 19:	Print Path Form	62
Figure 20:	I/O Port Parallel Port Settings Form	65
Figure 21:	Administration Form.....	66
Figure 22:	Status TCP/IP Web page.....	67
Figure 23:	Status I/O Port Web page.....	68
Figure 24:	Restart Web page	69
Figure 25:	M307 Default Names	94
Figure 26:	Print Server Operating Logic	98
Figure 27:	Power Socket.....	119
Figure 28:	Parallel Port (PRN) Connector.....	121
Figure 29:	Parallel Port Timing in Fast Mode.....	122
Figure 30:	Parallel Port Timing in Other Modes Diagram	123
Figure 31:	Sample Commercial Invoice.....	131

1 OVERVIEW OF THE MANUAL

This manual describes the installation and configuration of an M307 on your network. For the latest information on the M307, please see the Technical Support section of Microplex's Web site:

<http://www.microplex.com>

Contents of the Manual

This manual contains the following chapters:

2: *Introduction to the M307 Print Server*. How the M307 works and its main features.

3: *Installing the M307*. Installing and connecting the M307 Print Server to a printer and the network.

4: *Configuration Tools*. Utilities provided with the M307 Print Server and some basic TCP/IP commands that you will need to configure the M307.

5: *Configuring the M307 on Your Network*.

6: *Configuring Printers in Windows*.

7: *Configuring Printers in UNIX*. Providing some procedures for specific UNIX variants and scenarios.

8: *Configuring Printers in Mac OS X*.

9: *Configuring Printers on a Novell Server*.

10: *Using HTML Pages to Configure the M307*. Descriptions of the M307 Web pages for configuring the Print Server and viewing its status.

11: *Reference Information*. Provides a complete command list and information about using the *nps* command line interface shell. Describes the M307 naming scheme, how to reset units to factory defaults, and how to upgrade the firmware.

12: *Extra Features/Additional Information*. Topics covered include Print Server architecture, general options, security features, monitoring and logging printer information, using the FTP daemon to access the M307, and managing with SNMP.

13: *M307 Specifications*. Providing hardware and software specifications for the M307, connector pinouts, serial flow control, LED status indicators, and variable definitions.

14: [Getting Help](#). Where to find help and how to return the M307 for repair.

15: [Glossary](#).

Documentation Conventions

The document conventions used in this manual and the appendices are as follows:

- The Courier font in **boldface** indicates commands that you type.

```
$ping ftp.microplex.com
```

- Regular Courier font indicates displayed results.

```
ftp.microplex.com is alive
```

- Example names, numbers, and commands are presented in **boldface**.

To create an IP address for the M307 using the TCP/IP **arp** command, do the following...

- Variable values are shown in *italics*. *Italics* may also be used to add emphasis.

```
ping ipname
```

```
ipname is alive
```

Please enter the **ipname** at the prompt.

Make sure you *first* contact...

2 INTRODUCTION TO THE M307 PRINT SERVER

This chapter describes the M307's architecture and special features. The topics included are:

- *What is the M307?* on page 10
- *Physical Features* on page 10
- *How Does the M307 Work?* on page 11
- *Product Features* on page 12

What is the M307?

The M307 10/100 Pocket Print Server allows you to locate your printer anywhere on a 10Base-T or 100Base-T network rather than attaching it directly to a host system. After following some simple configuration steps, the printer can be *simultaneously* shared with users from Unix, Windows, Novell, or Apple operating systems across a TCP/IP network. Multiple concurrent users and operating systems are supported.

Note: The M307 is compatible with most printers with a Centronics parallel interface.

Physical Features

The key physical components of the M307 Print Server are:

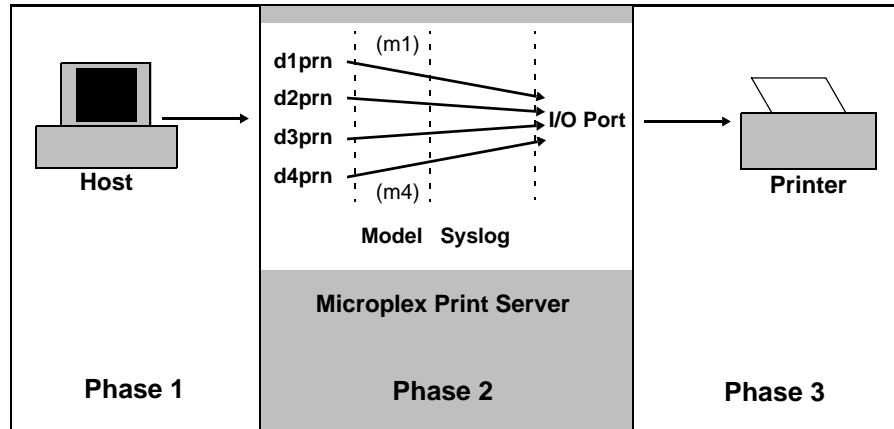
- a 10/100 network interface connector to connect to the network
- a parallel port for printers with a Centronics interface
- Flash memory to store firmware and user-configurable settings
- SDRAM for speed and efficiency

For more detailed specifications of the M307 Print Server, please see Chapter 13, *M307 Specifications*.

How Does the M307 Work?

The **print path** is the path that data follows when the host sends a job to a printer through the M307. This print path can be divided into three parts, as shown in [Figure 1](#).

Figure 1—Print Path Components



- Host** The host sends the job to one of four predefined **destinations** (e.g., *d1prn*) on the print server, rather than directly to the I/O port.
- Print Server** The job passes through the destination's associated **model** (e.g., *m1*) for optional processing and then continues through the **syslog** where logging information is recorded. The data then ends up at the destination's associated **I/O port, prn**.
- Printer** The data passes from the print server's I/O port to the attached printer for output.

There are four destinations on the M307, and each has an associated *model*. The **model** determines whether any extra data processing (e.g., ASCII to PostScript conversion) is required and the **syslog** determines whether job logging (e.g., user ID) or printer errors must be reported. A model can be associated with more than one destination. See [Figure 25](#) on page 94 for a diagram of the M307 models and syslog.

Product Features

The M307 offers an extensive list of features including:

- built-in HTML forms for easy cross-platform configuration with any Web browser
- Waldo, a utility for automated TCP/IP configuration (included on the CD-ROM supplied with the M307 or the latest version online at <http://www.microplex.com>)
- “**npsh**”, a detailed and easy-to-use command line interface shell
- multiple levels of configurable security through passwords, user permission levels, and access lists
- numerous methods of printer error and usage logging
- remote management through telnet sessions and SNMP
- extensive built-in troubleshooting tools
- built-in “**telnet**” and “**ping**” clients
- ability to disable protocols and destination services
- multiple destinations for versatile printer manipulation and distinct print setups
- header and trailer strings to instruct printers on tray, font, pitch, or simplex/duplex selection, for example
- autosensing of job format for ASCII to PostScript conversion or to automatically switch printer emulations
- flexible naming conventions
- flash memory upgrades over TCP/IP
- configurable parallel port bit rate for additional printer compatibility
- ability to simultaneously print on all supported protocols

3 INSTALLING THE M307

This chapter describes the following:

- *Site Requirements* on page 13
- *Unpacking the M307* on page 13
- *Connecting the M307 to a Network and Printer* on page 14

Site Requirements

Prepare to install the M307 in a clean, well-ventilated environment protected from extremes of temperature, humidity, mechanical shock, or vibration. Provide enough space at the front and back of the unit for cable connections.

Prepare to install the M307 within four meters (13 feet) of a grounded 115 or 230 VAC outlet. Power is supplied to the M307 from an external transformer through an output cord to a 5 pin din connector. The external transformer connects to a 115 or 230 VAC outlet.

Unpacking the M307

Upon receiving the M307, check the packaging for any damage or missing pieces. Immediately report problems to the shipping company or vendor. Note whether you have received an M307 (with a power supply requirement) or an M307 PPO (without a power supply requirement) while inspecting the contents of the packaging. The M307 PPO, or Printer Power Option, operates from power received over the parallel port connector.

Table 1—M307 Packing List

Print Server	<ul style="list-style-type: none">• M307• Power Supply
CD-ROM	<ul style="list-style-type: none">• M307 Installation and Configuration Guide (PDF format)• Software utilities for the M307

Table 2—M307 PPO Packing List

Print Server	<ul style="list-style-type: none">• M307 PPO
CD-ROM	<ul style="list-style-type: none">• M307 PPO Installation and Configuration Guide (PDF format)• Software utilities for the M307 PPO

Connecting the M307 to a Network and Printer

Step 1: Unpack the unit

Figure 2—M307/M307 PPO Front View: Parallel Port Connection

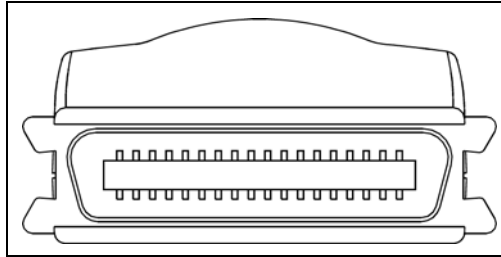


Figure 3—M307 Rear View

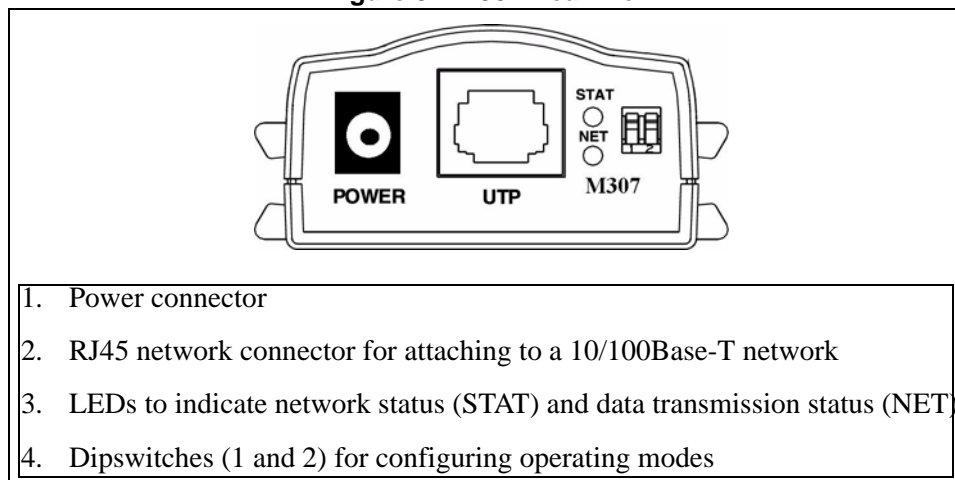
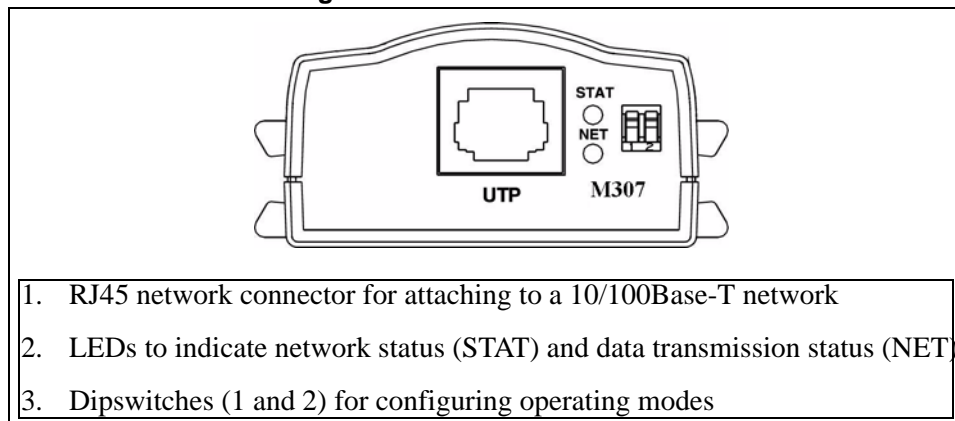


Figure 4—M307 PPO Rear View



Step 2: Test connectivity between the Print Server and printer

Use the test page feature of the M307/M307 PPO to test the connection between the Print Server and the printer. Successfully printed test pages indicate a solid connection.

Note: The M307 and the M307 PPO are powered differently.

3. Installing the M307

Connecting the M307 to a Network and Printer

With the M307, when instructed to **power on** the Print Server, connect the power supply to the power connector. When instructed to **disconnect** the Print Server, disconnect the power supply from the power connector (see [Figure 3](#)).

With the M307 PPO, when instructed to **power on** the Print Server, connect the Print Server to the printer. When instructed to **disconnect** the Print Server, disconnect the Print Server from the printer.

To output test pages:

1. If applicable, unpack the power supply and connect it to a wall outlet.
2. Ensure that the Print Server is **disconnected** from both the power source and the network.

If the Print Server is connected to a network with link integrity, the preceding step will force the unit into download mode instead of printing the desired test page.

3. Set **dipswitch 1** and **dipswitch 2** to the "on" position (down).

Dipswitch setting options are shown in [Table 3](#). The dipswitches are located on the rear of the Print Server (see [Figure 3](#) for the M307 or [Figure 4](#) for the M307 PPO).

4. **Power on** the printer and then **power on** the Print Server.

The Print Server will generate two test pages automatically.

5. When done, **disconnect** the Print Server and then **power off** the printer. Set **dipswitch 1** and **dipswitch 2** to the "off" position (up) again for normal operations.

Note: It is very important that the dipswitches be returned to their default states once you are finished with the test pages.

3. Installing the M307

Connecting the M307 to a Network and Printer

Table 3—M307 Dipswitch Settings

Dipswitch		Comments
1	2	
OFF	OFF	Normal operation. With both dipswitches in the "OFF" position, the unit will boot up using the settings in Flash rather than the default settings. Dipswitch 2 is in the "OFF" position from the factory so that the new settings that you store will be used.
ON	OFF	Factory default settings. With the dipswitches in this configuration, the unit will boot up and all settings stored in Flash will be erased except the Ethernet address and key value.
OFF	ON	Default IP (0.0.0.0). With the dipswitches in this configuration, the unit will boot with factory default settings, but the stored settings in Flash remain intact. This enables you to set an IP address of your own. Setting dipswitch 2 to "ON" will not clear any settings that you have stored in Flash. It simply boots the unit in a different state with the settings in Flash temporarily ignored.
ON	ON	If the unit is reset and detects link integrity from a hub, download mode is initiated. If the unit is not connected to a network, it will print a test page.

Step 3: Connect to the network

Use the RJ45 network connector for attaching to a 10/100Base-T (UTP) network located on the rear panel of the Print Server (see [Figure 3](#) for the M307 or [Figure 4](#) for the M307 PPO). Plug a network cable into the network connector and **power on** the device.

Watch the LED lights on the rear panel as they cycle through the power on self-test. When the test is complete, the STAT LED will flash once per second or, if there is no IP address configured, twice per second (see [Waldo](#) on page 18 for instruction on how to configure an IP address).

4 CONFIGURATION TOOLS

This chapter briefly describes some of the M307 utilities provided to help you set up your M307 Print Server:

- [HTML forms](#) on page 17
- [Waldo](#) on page 18

In addition, two TCP/IP commands that you will need are briefly described:

- [Telnet](#) on page 19
- [Ping](#) on page 19

M307 Utilities

HTML forms

The M307's settings can be configured over TCP/IP through a standard Web browser. The M307's Web pages provide a user-friendly way to access some of the commands built into the Print Server.

To access the M307's home page:

1. Ensure that the Print Server has an IP address and subnet mask so that it is identifiable on your TCP/IP network.
2. Ensure that your network station can successfully "**ping**" the M307 over the network.
3. Direct your Web browser to the Uniform Resource Locator (URL):

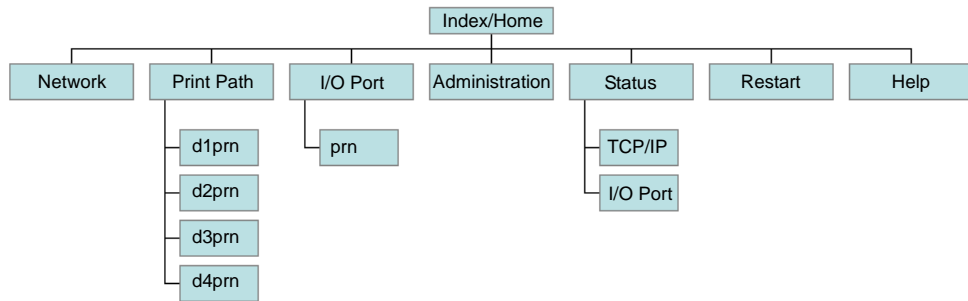
http://M307IPaddress

For example: **http://192.168.11.9**

4. When prompted for a User ID and Password, type in "**root**" for the ID and either press ENTER at the password prompt or, if a password has been set, type the password and then press ENTER.

The M307's HTML structure is divided into several menus as shown in [Figure 5](#). More detailed information about M307 Web pages is found in Chapter 10, [Using HTML Pages to Configure the M307](#).

Figure 5—M307 HTML Menu Structure



Waldo

Waldo is a Windows tool for discovering, monitoring, and configuring Microplex print/frame server devices on a TCP/IP network. The program is a Java stand alone program.

The M307 can be configured on a TCP/IP network using Waldo. Two steps are involved:

1. Identify the M307 on the network using TCP/IP as the underlying protocol.
2. Configure the M307 with its required TCP/IP settings (i.e., IP address and subnet mask).

Additional settings like routing entries can also be configured to allow for communications across subnets. Once Waldo is up and running, select Help Topics from the Help menu for more detailed information about Waldo.

The installation procedure for Waldo is described below; how to use Waldo to configure your M307 is described in *Using Waldo (Windows)* on page 23.

Waldo Environment Requirements

Before installing Waldo, ensure that you have met the following system environment requirements:

- the Java Runtime Environment™ (JRE) from Sun Microsystems. JRE consists of the Java virtual machine, the Java platform core classes, and supporting files. The latest supported version of JRE is available at Microplex's Web site: <http://www.microplex.com>.
- the TCP/IP protocol installed and configured on your workstation.

Installing Waldo in Windows

To install Waldo on a Windows workstation:

1. Insert the M307 CD-ROM and bring up the CD directory listing in My Computer or Windows Explorer.
2. Double click on *waldo.exe* in the Waldo directory to run the InstallShield Wizard.

4. Configuration Tools

TCP/IP Commands

3. Answer the prompts throughout the Wizard.

Once the install process is completed, you will be prompted to view the ReadMe file. Select "Yes" to read this, and when done, close the file.

Note: The latest version of Waldo is available on Microplex's Web site:
<http://www.microplex.com>.

TCP/IP Commands

Telnet

Telnet can be used to access a remote computer on a network. To use this command, you must know the IP address of the M307 Print Server. You can start a Telnet session on a UNIX or Windows-based computer, which is connected to the network, to log in to the M307 command line interface shell to alter and view settings.

Syntax:

```
telnet ipaddress
```

Example:

```
telnet 192.168.11.9
```

This will bring up the M307 login prompt. Enter "**root**" for the User ID and press ENTER at the password prompt or, if a password has been set, type it and then press ENTER.

Ping

You can use the "**ping**" command to check that an assigned IP address (for example, the IP address for the M307) is active.

Syntax:

```
ping IPaddress
```

For example:

```
ping 192.168.11.9
```

The response will indicate whether the IP address is active or not.

5 CONFIGURING THE M307 ON YOUR NETWORK

This chapter describes how to configure the required and optional TCP/IP settings for the M307 on your network. The following steps are covered:

- *Required TCP/IP Settings:*
 - *Configure an IP address for the M307 using the ARP command* on page 21
 - *Configure the M307 IP address and subnet mask* on page 21
- *Optional TCP/IP Settings:*
 - *Communicating across routers* on page 25
- *Troubleshooting Tips* on page 26

The procedures found in this chapter are common to Windows, UNIX, Mac OS and Novell networks. Further M307 printer configuration requirements specific to your TCP/IP server operating system are described in the following chapters:

- *Configuring Printers in Windows* on page 28
- *Configuring Printers in UNIX* on page 38
- *Configuring Printers in Mac OS X* on page 52
- *Configuring Printers on a Novell Server* on page 55

There are two parts to setting up the M307 Print Server on your system:

1. Configuring the M307 so that it can be seen on the network. This involves network-related settings configured through the M307 HTML forms or built-in command line interface shell, **npsh**.
2. Configuring the host to be able to connect to the M307 and printer(s) so that the host can send print jobs to the M307.

Network environments that use DHCP or BOOTP do not require any network settings to be configured on the M307. However, *all* network setups require configuration on the host end.

Required TCP/IP Settings

Configure an IP address for the M307 using the ARP command

To create an IP address for the M307 using the TCP/IP **arp** command:

1. Open a command window in Windows, or log on to a UNIX station as the superuser root.

Note: This station must be located on the *same* subnet as the M307 because ARP traffic is limited to subnets.

2. Create an IP address entry for the M307 in the ARP table:

```
arp -s IPaddress ethernetaddress
```

where:

IPaddress the M307 IP address, e.g., **192.168.11.6**

ethernet address the M307 ethernet address, e.g.,
 00-80-72-0A-00-60 (Windows)
 00:80:72:0A:00:60 (UNIX)

Note that

- in a Windows environment a hyphen ("-") is used between each pair of characters in the ethernet address;
- in a UNIX environment a colon (":") is used.

If this syntax does not apply, look in your host's reference manual to find the proper syntax for the **arp** command.

3. Check that the **arp** entry was accepted:

```
arp -a
```

4. Check that the assigned IP address is active:

```
ping IPaddress
```

Configure the M307 IP address and subnet mask

Once the IP address has been created, you can configure it on the M307 Print Server using one of the following:

- M307 HTML forms, [page 22](#)
- the M307 Waldo utility (Windows only), [page 23](#)
- the TCP/IP **telnet** command, [page 24](#)

5. Configuring the M307 on Your Network

Required TCP/IP Settings

Using HTML forms

1. Load the M307 HTML forms as described in [HTML forms](#) on page 17, then select "Network" from the Main Menu.


Or, go directly to the Network Configuration form by typing the following into your browser:

```
http://M307IPaddress/tcpipConf.html
```

Enter "root" for the User ID and press ENTER at the password prompt, as there is no password by default.

The Network TCP/IP configuration form is displayed ([Figure 6](#)).

Figure 6—Network TCP/IP Form

Wired 10/100Mbps Ethernet 

Current Settings	Options:	<input checked="" type="checkbox"/> RARP	<input type="checkbox"/> BOOTP	<input type="checkbox"/> DHCP
	IP Address	172.16.1.129		
	Subnet Mask	255.255.0.0		
	Default Gateway			
	DNS Server	<input type="text"/>		
Domain Name	<input type="text"/>			
Stored Settings	Options:	<input checked="" type="checkbox"/> RARP	<input type="checkbox"/> BOOTP	<input type="checkbox"/> DHCP
	Static IP Settings:			
	IP Address	<input type="text" value="172.16.1.129"/>		
	Subnet Mask	<input type="text" value="255.255.0.0"/>		
	Default Gateway	<input type="text"/>		

Note: Changes to fields with gray background only take effect after a [restart](#).

2. Enter the IP address in the **Interface 1** IP Address field.
3. Enter the M307's subnet mask in the **Interface 1** Subnet Mask field.

If you wish to communicate with the M307 from across subnets, you will also need an entry in the "Routing" section of the form. Please see [Communicating across routers](#) on page 25 for further details.

4. Click on "Submit" when done.
5. Go to the Restart page and click on "Restart" to apply the new settings to your system. At this point, you can now configure your host.

5. Configuring the M307 on Your Network

Required TCP/IP Settings

Using Waldo (Windows)

Ensure that you have installed Waldo on your Windows PC (see [Installing Waldo in Windows](#) on page 18). To configure the M307 with its required TCP/IP settings (i.e., IP address and subnet mask):

1. Select Programs → Waldo → SuperWaldo in the Windows Start menu.

The Waldo main screen is displayed, as in [Figure 7](#).

2. Click on "Search..." to open the Discover Devices dialog box.
3. Select "local" and click on "OK".

Or, click on "Add..." to find a device on another subnet.

The main dialog box will now build up a list of Microplex devices. This process may take a minute or two to find the devices on the network.

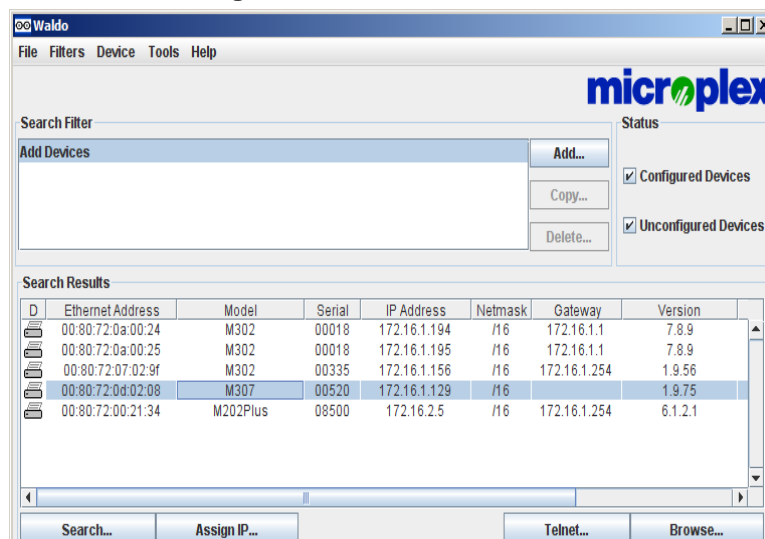
4. Click on "Stop Searching" after the device has been found.
5. Select the M307's ethernet address from the list box and press "Assign IP...".
6. In the Assign IP dialog box, fill in the IP address and subnet mask for this M307.

You can also assign a default router/gateway entry in this dialog box to allow your M307 to communicate across subnets. Please see [Communicating across routers](#) on page 25 for further details.

7. Click "Assign" when done to assign these TCP/IP settings to the M307. Waldo will then display its progress status in a separate dialog box.

After successfully assigning the settings, you will see the M307 with its new IP address in the device list. At this point, you can configure your host.

Figure 7—Waldo Main Screen



5. Configuring the M307 on Your Network

Required TCP/IP Settings

Using Telnet

1. Start a Telnet session with the M307. Type

```
telnet M307IPaddress
```

where *M307IPaddress* is the IP address of the M307 unit. This will bring up a login prompt.

2. Enter "root" for the User ID and press ENTER at the password prompt, as by default there is no password set.

The following WARNING message is normal at this point and may be ignored.

```
STORED AND CURRENT VALUES DIFFER
```

You should now see the prompt

```
M307IPaddress:root>
```

3. Store the new IP address and netmask in EEPROM so that the setting will remain intact after restart. To do this, enter

```
store tcpip ifnum addr M307IPaddress  
store tcpip ifnum mask M307netmask
```

where:

ifnum is the index to a particular network interface. It is "1" for the Ethernet network.

M307netmask is the netmask address for the M307.

If you would like to communicate with the M307 from across routers, you will need to make an entry in the "Routing" section. See [Communicating across routers](#) on page 25 for further details.

4. **[Optional, but recommended]** Configure root and guest user passwords with the following commands:

```
set user passwd root newRootPssswd  
set user passwd guest newGuestPasswd
```

5. Save these configurations to EEPROM. Enter

```
save
```

6. Verify the IP address and netmask. Enter

```
list stored tcpip
```

7. Log out of the telnet session with "quit", then restart the M307 by powering the unit off and then back on again.

8. Test the equipment and configuration after installation is complete.

```
ping M307IPaddress
```

An Important Note

Once you have configured the unit using any of the above methods, the STAT LED will flash once per second. This means the M307 is configured and recognizable on the network. At this point, you can now configure your host.

5. Configuring the M307 on Your Network

Optional TCP/IP Settings

The STAT LED will flash when the IP address is configured; it does not mean that the unit is properly configured, only that an IP address has been saved.

If you need to communicate with the M307 across routers, you must now fill in an entry within the "Routing" section.

Optional TCP/IP Settings

Communicating across routers

Since Windows and UNIX environments depend on TCP/IP to communicate with the M307, crossing routers can be an issue.

After following one of the M307 configuration methods described above, you will only be able to communicate with the Print Server from the *same* subnet. This means that the M307 will *not* be able to accept any requests from hosts across a router (i.e., on another subnet).

To allow the M307 to communicate across a router, it is best to store a default router/gateway within the Print Server so that any packets destined for another subnet get forwarded to this router automatically. The router (or series of routers) can then ensure the packets arrive at their final destination on the other subnet.

You can configure a default router/gateway within the M307 using either the M307 HTML forms or the TCP/IP **telnet** command.

Using HTML forms

1. Follow the instructions for accessing the Network TCP/IP form ([page 22](#)).
2. In the Routing section of the Network TCP/IP form ([Figure 6](#) on page 22), enter the IP address of the default router/gateway for the M307's subnet in the first Gateway field.

The correct Interface number is "1" for the Ethernet network.

3. Click on "Submit" when done.
4. Go to the Restart page and click on "Restart" to apply the new settings to your system.

5. Configuring the M307 on Your Network

Troubleshooting Tips

Using Telnet

1. Telnet to the print server as described on [page 24](#).

```
telnet M307ipaddress
```

2. Enter "root" for the User ID and press ENTER at the password prompt, as by default there is no password set.

The following WARNING message is normal at this point and may be ignored.

```
STORED AND CURRENT VALUES DIFFER
```

You should now see the prompt

```
M307IPaddress:root>
```

3. Type "list tcpip" to view the Print Server's current settings, then configure the M307's default router/gateway as follows:

```
store tcpip route add|del default routerIPaddress ifnum
```

where "ifnum" is "1" for the Ethernet network.

It is easier to store one default entry than an entry for every remote host or network, though it is possible to do this. The syntax for this method is

```
store tcpip route add|del [host|net] IPaddress[/mask]
routerIPaddress ifnum [metric]
```

4. Logout of the Telnet session with "quit". Then restart the M307 by powering the unit off and then on again.

Troubleshooting Tips

Waldo error messages: M307 will not talk on the network

Unable to assign temporary IP. The address is already in use.

- Ensure that you have assigned an IP address that is not being used by another device.

Unable to assign temporary IP. The device is not responding. The network may be down, or an invalid IP address has been used.

- Ensure that the IP address that you used is valid for your network.

M307 will not talk on the network

- Have you assigned it a unique and valid IP address that corresponds with the other IP addresses on your network? For example, are you sure no other device is using this IP address, that the subnet mask is the same as other hosts on the network, and that the unique IP address is part of the network specified by the subnet mask specified?

5. Configuring the M307 on Your Network

Troubleshooting Tips

- Are you sure you are trying to talk to the M307 from a host on the *same subnet*? The Print Server can only be seen locally if you configured a routing entry earlier on.
- Is the STAT LED on the front of the M307 flashing once per second, or is it flashing faster? A slower, once-a-second rate indicates that the Print Server is in fact configured with an IP address. A faster rate indicates that the M307 is unaware of the IP address and you may need to try the configuration process again.
- Have you confirmed the network connection to the M307 is working correctly? Trying different network cables and locations will help narrow down the problem.

HTML configuration forms will not display

- Can you "**ping**" the M307 from your Windows station? If not, please see section above, *M307 will not talk on the network* on page 26, or *Cannot Ping the M307* on page 49 for UNIX systems.

- Have you used the correct URL for the M307's home page? It should be

http://M307IPaddress

For example,

http://192.168.11.9

6 CONFIGURING PRINTERS IN WINDOWS

The M307 supports Windows NT/2000/XP operating systems. How to setup printers on a Windows-based network is described in this chapter, in the following sections:

- [M307 Configuration Requirements](#) on page 28
- [Creating an LPR Printer \(Windows NT/2000/XP/2003\)](#) on page 28
- [Changing Destination Names on Windows NT/2000/XP](#) on page 32

Identifying the M307 on the network using TCP/IP and configuring the M307 with its required TCP/IP settings (i.e., IP address and subnet mask) are described in the previous chapter, [Configuring the M307 on Your Network](#).

M307 Configuration Requirements

Required: The M307 must be configured with an IP address and subnet mask before it can be seen on the network, since Windows printing depends on TCP/IP.

Optional: Additional settings such as routing entries can also be configured, allowing communication across subnets.

Procedures for these configuring the M307 to meet these requirements are described in Chapter 5, [Configuring the M307 on Your Network](#). To configure an IP address and subnet mask on your M307, Microplex recommends the use of their TCP/IP configuration utility, Waldo, described in detail on [page 23](#).

Creating an LPR Printer (Windows NT/2000/XP/2003)

There are two procedures for creating an LPR printer:

- [Creating an LPR Printer on Windows 2000/XP/2003](#)
- [Creating an LPR Printer on Windows NT4](#)

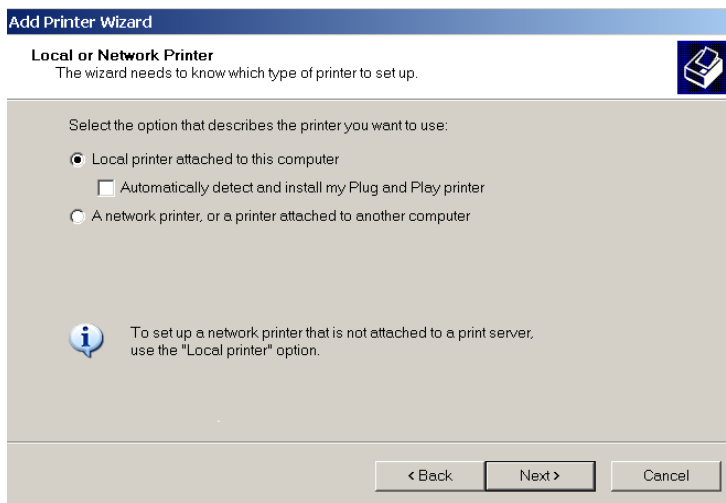
LPR software may have to be installed in Windows NT before using the create procedure ([Installing LPR Network Software on Windows NT4](#)).

Creating an LPR Printer on Windows 2000/XP/2003

To configure a new LPR printer on a Windows 2000/XP/2003 station or server, do the following:

1. From the Windows Start menu, select Settings → Printers.
2. Double click on the Add Printer icon.
3. Select "Local Printer" in the Add Printer Wizard (Figure 8). *Do not select "Automatically detect and install my Plug and Play printer".*

Figure 8—Add LPR-compatible Printer Dialog Box



4. Click on "Next" and select "Create a new port" and "Standard TCP/IP Port".
5. Click on "Next" and enter the DNS name or IP address in the Printer Name or IP Address field. For example,
192.197.122.101
6. You can leave the Port Name unchanged or rename it. The default based on the above IP address will be
IP_192.197.122.101
7. Click on "Next", then select the Device Type "Custom" and click on "Settings".
8. In the Port Settings dialog box (Figure 9), give the printer any unique name and select "LPR" as the protocol.

6. Configuring Printers in Windows

Installing LPR Network Software on Windows NT4

Figure 9—Port Settings

The screenshot shows a Windows dialog box titled "Configure Standard TCP/IP Port Monitor". The "Port Settings" tab is selected. The "Port Name" field contains "M302_PCMCIA". The "Printer Name or IP Address" field contains "172.16.36.37". Under the "Protocol" section, the "LPR" radio button is selected. The "Raw Settings" section has "Port Number" set to "9100". The "LPR Settings" section has "Queue Name" set to "d1prn" and the "LPR Byte Counting Enabled" checkbox checked. The "SNMP Status Enabled" checkbox is unchecked. The "Community Name" field contains "public" and the "SNMP Device Index" field contains "1". "OK" and "Cancel" buttons are at the bottom right.

9. For Queue Name enter "**d1prn**" and check the "LPR Byte Counting Enabled" checkbox. Click on "OK" and then "Finish".
10. Click on "Next", decide whether you want to share the printer, and then click on "Next" again.
11. When prompted for a test page, select either "Yes" or "No" depending on the state of the attached printer, and click on "Finish".

Windows may ask for a disk or CD-ROM to load the appropriate printer driver to complete this new printer setup.

There should now be a new printer icon in the Printers folder. This new network printer uses LPR over TCP/IP as the underlying protocol to print to the M307.

Installing LPR Network Software on Windows NT4

You may need to install LPR software on Windows NT computers running Windows NT4 operating systems; this is not necessary for Windows 2000/XP/2003 computers.

If "Microsoft TCP/IP Printing" is not installed in your Network control panel, perform the following steps:

1. Select Settings → Control Panel in the Windows Start menu.
2. Double click on the Network icon.

6. Configuring Printers in Windows

Creating an LPR Printer on Windows NT4

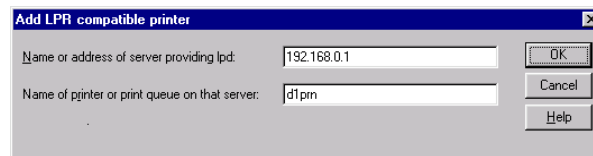
3. Select the Services tab and click on "Add...".
4. Select "Microsoft TCP/IP Printing" in the Network Service list, and click on "OK".
5. Click on "OK" and answer "Yes" when prompted to restart.

Creating an LPR Printer on Windows NT4

To configure a new LPR printer on a Windows NT4 station, do the following:

1. Select Settings → Printers in the Windows Start menu and double click on the Add Printer icon.
2. Select the "My Computer" radio button in the Add Printer Wizard that loads, and then click on "Next".
3. Click on "Add Port..." to bring up the Printer Ports dialog box.
4. Select the "LPR Port" entry from the Available Printer Ports list and click on "New Port..." to bring up the Add LPR Compatible Printer dialog box (Figure 10).

Figure 10—Add LPR-compatible Printer Dialog Box



5. Type in the IP address or host name of the M307 in the first field, and the name of a *predefined destination/queue* on the M307 in the second field.

This name must be an existing destination/queue name on the M307, and it must be *lowercase*. You will most likely use "d1prn".

6. Click "OK" when done, then close the Printer Ports dialog.
7. Select the appropriate printer manufacturer and model of the printer attached to the M307 in the Add Printers Wizard.
8. Click on "Next" and fill in a Printer Name for this new network printer, and decide whether you want this to be the default printer. This printer can be referred to by any unique name.
9. Click on "Next", decide whether you want to share the printer, and then click on "Next" again.

6. Configuring Printers in Windows

Changing Destination Names on Windows NT/2000/XP

10. When prompted for a test page, select either "Yes" or "No" depending on the state of the attached printer and then click on "Finish".

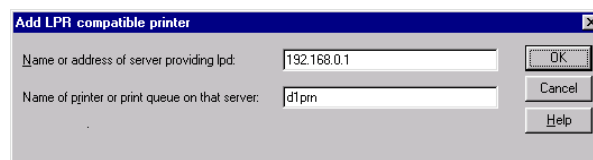
Windows may prompt for a disk or CD-ROM to load the appropriate printer driver to complete this new printer setup.

There should now be a new printer icon in the Printers folder. This new network printer uses LPR over TCP/IP as the underlying protocol to print to the M307.

Changing Destination Names on Windows NT/2000/XP

When defining some printers within Windows NT/2000/XP environments, the M307 requires that you specify a predefined destination. For example, when creating a new LPR printer under Windows NT, you will see the dialog box shown in [Figure 11](#).

Figure 11—Windows NT/2000/XP LPR Print Setup Dialog Box



The first field specifies the IP address for the M307 and the second an existing destination on the print server (e.g., **d1prn**). Otherwise, the M307 will not accept this as a valid network printer. The M307 has four destinations: d1prn, d2prn, d3prn, and d4prn. Each of these names can be changed to something more meaningful to you.

There are two methods for changing destination names described in the following sections:

- using M307 HTML forms (*HTML method*)
- using the TCP/IP telnet command (*Telnet method*)

These are described below.

HTML method

1. Open the Print Path configuration form ([Figure 12](#)) in a Web browser
 - by the standard method ([page 17](#)) and then select Print Path from the menu, or
 - enter the following URL in your Web browser:

`http://M307IPaddress/destConf.html`

6. Configuring Printers in Windows

Changing Destination Names on Windows NT/2000/XP

2. In the Print Path configuration form, select a destination link from the Print Path submenu listing all four available destinations to bring up the appropriate destination's form, for example, **d1prn**.

The selected destination default name will appear in the Name field of the form.

3. Enter a new name for this destination in the Name field (optional).

When renaming a destination, keep the name similar to the I/O port or printer it points to on the M307. For example, if you have an HP LaserJet IV attached to the PRN port, you may want to use a name such as "**l~~sr~~4prn**".

4. Select any other options that are appropriate. See *Print Path Forms* on page 61 for information on available options.
5. Click on "Submit" when done.
6. Go to the Restart page and click on "Restart" to apply the new settings to your system.

6. Configuring Printers in Windows

Changing Destination Names on Windows NT/2000/XP

Figure 12—Print Path Form

[Home](#)
[Network](#) | [Print Path](#) | [System Log](#) | [I/O Port](#) | [Administration](#) | [Status](#) | [Restart](#) | [Help](#)
[d1prn](#) | [d2prn](#) | [d3prn](#) | [d4prn](#)

Print Path

Destination Settings: d1prn

Name	<input type="text" value="d1prn"/>
BackChannel	<input type="radio"/> prn <input checked="" type="radio"/> none
Services	<input checked="" type="checkbox"/> socket <input checked="" type="checkbox"/> lpd <input checked="" type="checkbox"/> lpsched <input checked="" type="checkbox"/> ftpd
Model Type	<input checked="" type="radio"/> raw <input type="radio"/> a2ps <input type="radio"/> pcl-ps
Banner Page	Type: <input checked="" type="radio"/> none <input type="radio"/> Postscript <input type="radio"/> text <input type="radio"/> auto Position: <input checked="" type="radio"/> before <input type="radio"/> after
Filter	<input type="checkbox"/> insert carriage return after line feed
Header String	<input type="text" value="(None)"/> <input type="text" value="(None)"/> <input type="text" value="(None)"/> <input type="text" value="(None)"/>
Trailer String	<input type="text" value="(None)"/> <input type="text" value="(None)"/> <input type="text" value="(None)"/>
Language	<input checked="" type="radio"/> English <input type="radio"/> Japanese Format: <input type="text" value="SJIS-TG"/>

Telnet method 1. Telnet to the print server:

```
telnet M307IPaddress
```

If prompted, enter "root" for the User ID and then your password. If you have yet to set a default password, simply press ENTER at the password prompt.

You should now see the following prompt:

```
M307IPaddress:root>
```

2. Change the current name of the *destination* to a new name:

```
set dest destination name newname
```

For example,

6. Configuring Printers in Windows

Troubleshooting Tips

```
set dest d1prn name lsr4prn
```

Newname is case sensitive and must have nine characters or less. When renaming a destination, keep the name similar to the I/O port or printer it points to on the M307. For example, if you have an HP LaserJet IV attached to the PRN port, you may want to use a name such as "lsr4prn".

Note: When you change a destination name, you may have to reconfigure the host to reflect the change.

3. Save these configurations to Flash memory. Enter

```
save
```

4. Logout of the Telnet session with "quit". Restart the M307 by powering the unit off and on.

Troubleshooting Tips

Errors occur when defining an LPR printer

- Can you "ping" the M307 from your Windows station? If not, please use *Waldo* to find the unit.
- Did you specify the correct IP address or host name for the M307 in the first field of the Add LPR Compatible Printer dialog box?
- Did you specify a valid destination/queue on the M307 in the second field of the Add LPR Compatible Printer dialog box? If so, did you also enter it in lowercase letters, for example, *d1prn*?

Printer errors when printing or no output

- Is a large job currently printing (and taking up all of the printer's resources)?

A busy printer can cause Windows to display a printer error message. If this is a frequent problem, it is better to use a central spooling station.

- Have you tried restarting the spooler under the "Services" control panel? Sometimes this is needed to get printing going.

As a last resort, you may want to restart the Windows station. This may be the only option to completely clear this situation. Usually the M307 has nothing to do with this problem.

Queue hangs

Hanging print jobs or queues usually indicate a problem at the host end. Most likely the printer and print server are on the network waiting for some activity, but the host is not doing anything. This is most common with LPR print setups, and is possible with other setups as well.

First, check that the printer is ready to print and can accept more data. Do this by using the telnet command to connect to the Print Server and then issuing the "**lpstat**" command. Output from this command will indicate exactly where the problem is.

Search under the appropriate I/O port for messages such as the following:

- "printing data – blocked"

This message (along with the seconds to the right of the "blocked" message incrementing each time you issue the "**lpstat**" command) indicates that the printer is not allowing the print server to pass data to it. The print queue is hung because the print server cannot take more data in its output buffer until the "blocked" message is cleared (i.e., the printer sends a signal indicating that it is ready for more data).

Once the printer is cleared of any error situation and the "blocked" message disappears, the print job should then go through and the queue should move along properly.

If the printer is ready to print and there are still "blocked" messages, then it may be a communications problem between the print server I/O port and the printer:

- The cable may be faulty and the "send" signal is not getting through to the print server.

Replace the cable.

- The printer and print server may not be communicating properly.

Check the settings on both the printer's interface and the print server's I/O port interface. See if another printer will work better.

- "printing data – waiting"

This message indicates that the print server knows about the print connection but it is waiting for the host to send data. Currently the unit's buffer has room for more data, but the host is not cooperating.

Look to the host to see why it is hung up. Look for errors that may cause the host to hang and make sure that the host can still see the Print Server on the network by using "**ping**" or "**telnet**".

Other errors

Printing in a Windows environment can produce various error messages that may not be meaningful to you. Some common ones are "Windows cannot write to this file" and "A network error has occurred."

6. Configuring Printers in Windows

Troubleshooting Tips

These error messages appear when the print server cannot take more data because the printer is in an error state. When Windows cannot send all of the print job data right away and is blocked from sending further data, its spool file continues to build until an error such as one of the above is generated.

Check the "**lpstat**" output on the print server to determine where the problem is.

7 CONFIGURING PRINTERS IN UNIX

The M307 supports all UNIX-based or similar operating systems.

An alternative method for assigning an IP address to the M307 Print Server is described in [Assign an IP Address Using RARP or BOOTP](#) on page 40.

How to setup printers on a UNIX-based network is described in the following sections:

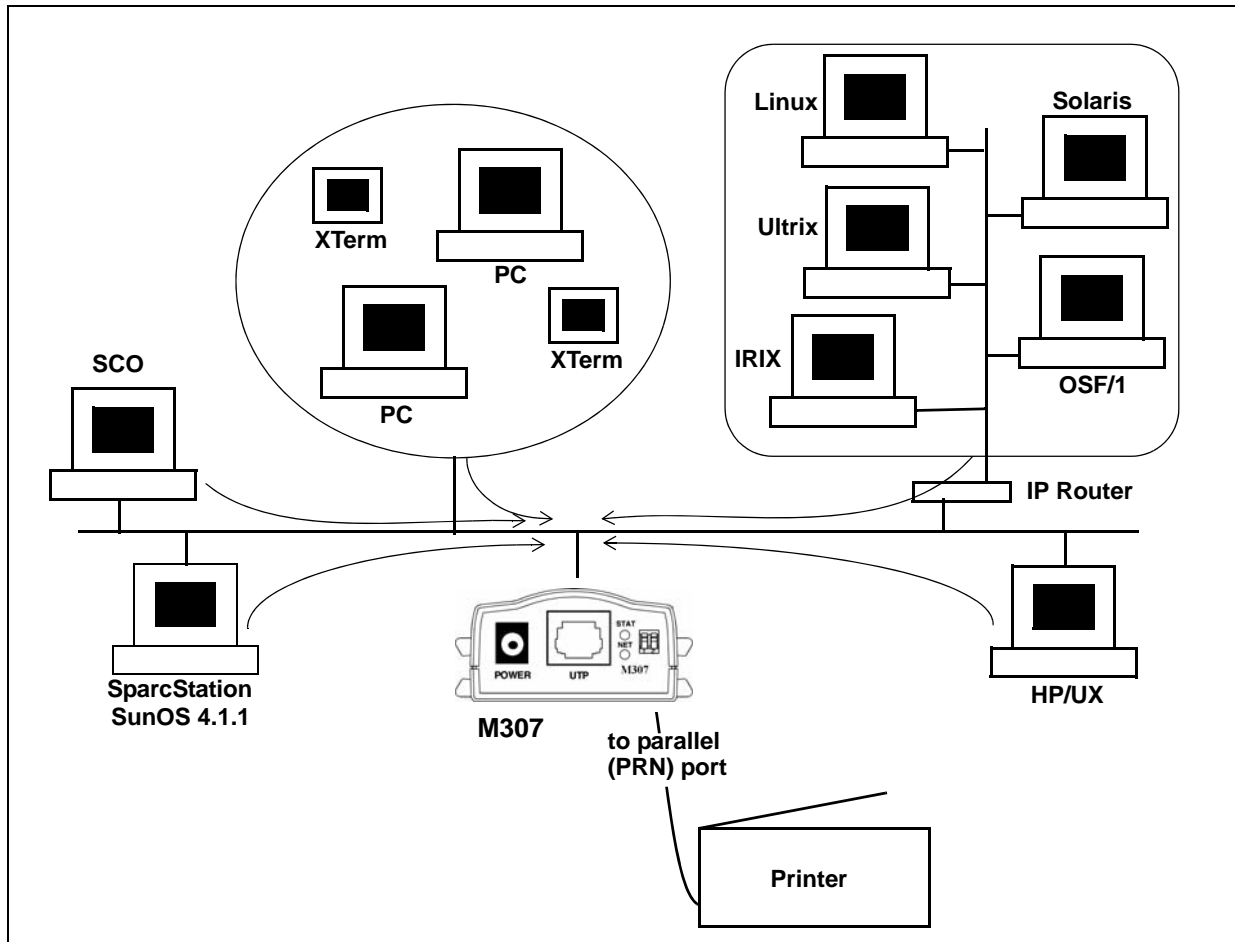
- [Manual LPR/LP Host Setup](#) on page 42
- [Manual LPR/LP Host Setup](#) on page 42
- [HP SAM Setup](#) on page 44
- [Printing from AIX](#) on page 45
- [Printing Using the FTP Daemon](#) on page 48
- [Direct Socket Printing](#) on page 49

[Troubleshooting Tips](#) are provided on [page 49](#).

Environment Description

The M307 supports network printing under various TCP/IP environments including *all* flavors of UNIX. Printing can come from multiple hosts directly or through central spooling machines, as shown in [Figure 13](#).

Figure 13—UNIX Integration



M307 Configuration Requirements

Required: Since TCP/IP is used, the M307 must be configured with an IP address and subnet mask before it can be seen on the network.

Optional. Additional settings such as routing entries can also be configured, allowing communication across subnets.

Procedures for these requirements are described in Chapter 5, [Configuring the M307 on Your Network](#). To configure an IP address and subnet mask on your M307, Microplex recommends the use of their TCP/IP configuration utility Waldo, described in detail on [page 23](#).

An alternate method of assigning an IP address is to use RARP or BOOTP as described below.

Assign an IP Address Using RARP or BOOTP

An IP address can be assigned to the M307 using the **arp** (page 21) command, RARP protocol (page 40), or BOOTP (page 41) protocol. The **arp** command is described in *Configuring the M307 on Your Network*; RARP and BOOTP protocols are described below.

Using RARP to assign an IP address to the M307

RARP allows you to dynamically assign an IP address to the M307 upon bootup. When a RARP-configured TCP/IP host boots, it broadcasts a RARP request for an IP address. Your network must have this daemon running on some host. If you do not know whether the daemon is running on your network, please configure the M307 using one of the other methods described in this document.

To configure the M307 with its TCP/IP settings using RARP, you will need to:

1. On your RARP server, make an entry in the `/etc/ethers` file for the M307.

Syntax:

```
ethernetaddress M307IPaddress
```

ethernetaddress is the Ethernet address located on the bottom of the M307 unit. **M307IPaddress** is a unique IP address on your network.

Example:

```
00:80:72:09:00:60 192.168.11.9
```

2. Start the RARP daemon on the RARP server if it is not running already. If it is running, send a HUP signal to it with the "**kill**" command.

Syntax:

```
kill -HUP pid
```

where *pid* is the process ID of the RARP daemon.

3. Power on the M307 so that it will send a RARP request out to the network. Wait one minute to allow the address assignment process to complete. You should see the STAT LED on the front of the M307 slow down, indicating that it has been assigned an IP address to use.

7. Configuring Printers in UNIX

Assign an IP Address Using RARP or BOOTP

4. Try to "ping" the M307's IP address from a local UNIX station to see if it can be seen on your network.

You will only be able to communicate with the M307 from a network station on the *same* subnet as the Print Server. The M307 needs to be told about a default router/gateway so any packets that come in from a different subnet can be returned via this gateway. See [Communicating across routers](#) on page 25 to set this up.

For this reason, RARP is an inferior solution to BOOTP in situations where additional configuration parameters such as a default router/gateway are required to be set dynamically. BOOTP is described below.

5. [Optional but recommended] Set up the user passwords. Please refer to [Set commands](#) on page 76.

If no response is received from the M307, the RARP process is likely to have failed. If after checking your configuration you are unable to ascertain the source of the problem, Microplex recommends attempting one of the other configuration methods available to you.

Using BOOTP to assign an IP address to the M307

BOOTP allows you to dynamically assign an IP address and additional configurations to the M307 upon bootup. During the boot sequence, the Print Server will broadcast a BOOTP request. If a BOOTP server is running on the network configured to respond to the requesting device, it will provide the M307 with its IP address, netmask, default router, and a time server from which to query the current time (GMT) and the time zone in which the M307 is located.

By default, the Print Server will broadcast a BOOTP request when it boots. The following command can be used to control this request:

```
store tcpip ifnum opts [[-]rarp] [[-]bootp] [[-]dhcp]
```

where "ifnum" is "1" for the Ethernet network.

1. On your BOOTP server, make an entry in the /etc/bootptab file for the M307.

```
M307IPname:\
:sm=netmask:\
:hd=homedirectory:\
:bf=null:\
:gw=defaultgateway:\
:ht=ethernet:\
:ha=ethernetaddress:\
:ip=ipaddress:\
:ts=timeserver:\
:to=timezone:
```

For example,

```
spike:\
:sm=255.255.255.0:\
:hd=/usr/null:\
```

7. Configuring Printers in UNIX

Manual LPR/LP Host Setup

```
:bf=null:\
:gw=192.168.11.1:\
:ht=ethernet:\
:ha=0080720A0060:\
:ip=192.168.11.9:\
:ts=192.168.11.7:\
:to=25200:
```

2. Turn the M307 on so that it immediately sends out a BOOTP request. Wait one minute to allow the IP address assignment process to complete.

You should see the STAT LED on the front of the M307 slow down, indicating it knows which IP address to use.

3. Try to "ping" the M307's IP address from a network station to see if it can be seen on your network.

You will be able to communicate with the M307 from network stations on different subnets if the Print Server has been told about its default router/gateway in the BOOTP response from the BOOTP server.

Manual LPR/LP Host Setup

The M307 also supports UNIX operating systems that follow a BSD print system (e.g., SunOS 4.1.x). This means that a printcap file is used to configure LPR/LPD, which defines all printers available on the host for printing.

LPD remote printing

The **lpd** daemon spools files locally, then sends them to an M307 acting as a remote printer. As interface scripts cannot be used with this spooling method, processing must be done by the M307.

This method should be used in the following conditions:

- your UNIX host supports BSD 4.3 LPD protocol,
- no bi-directional communication is required between the printer and printing application,
- you wish to avoid using special host software.

In BSD printing, two files are sent to the M307, a data file and a control file. The control file contains information about originating user and host. However, since the control file may not arrive before the data file in the current LPD standards, fully detailed banner pages cannot be guaranteed.

To manually configure an LPR/LPD printer on a BSD UNIX system, you will need to add an entry to the `/etc/printcap` file and then create its associated files and directories.

1. Define an entry for this new printer within the printcap file, /etc/printcap,

```
printername:  
:sh:pw#80:mx#0:\  
:rm=M307name:\  
:rp=M307destination:\  
:lp=:\  
:sd=/usr/spool/lpd/printername:\  
:lf=/usr/spool/lpd/printername/log:\  
:af=/usr/spool/lpd/printername/acct:
```

where *printername* is any name you'd like to give to this new printer, *M307name* is the host or IP name of the Print Server, and *M307destination* is one of the predefined destinations/queues on the device. For example,

```
laser:  
:sh:pw#80:mx#0:\  
:rm=spike:\  
:rp=d1prn:\  
:lp=:\  
:sd=/usr/spool/lpd/laser:\  
:lf=/usr/spool/lpd/laser/log:\  
:af=/usr/spool/lpd/laser/acct:
```

2. Create the spool directory specified by the "sd=" entry in the printcap entry for this printer. For example,

```
mkdir -p /usr/spool/lpd/laser
```

3. Create the log and account files specified by the "lf=" and "af=" entries in the printcap entry for this printer. For example,

```
touch /usr/spool/lpd/laser/log  
touch /usr/spool/lpd/laser/acct
```

4. Change permissions and ownership on the spool directory and everything within it. For example,

```
chmod -R g+rwX,o+rX /usr/spool/lpd/laser  
chmod -R daemon.daemon /usr/spool/lpd/laser
```

5. Start the printer daemon for this new printer. For example,

```
lpc start laser
```

You now have a new printer that relies on LPR/LPD to print to an M307 printer. Use the following command to test printing:

```
lpr -Pprintername filename
```

For example,

```
lpr -Plaser /etc/hosts
```

HP SAM Setup

Configuring print queues using SAM (HP-UX systems)

Before executing the SAM program, select an IP address for the Microplex Print Server and set up an entry for it in the `/etc/hosts` file on the system running HP-UX.

1. Start the SAM utility as a superuser.
2. Select Peripheral Devices from the main menu.
3. Select Printers/Plotters from the Printers/Plotters menu.
4. Select LP Spooler from the Peripheral Devices menu.
5. Select "Add a Remote Printer" from the Actions list, then select a printer name.

Examples: `my_printer` or `printer1`

6. Select a remote system name.

Example: `M307IPaddress`

7. Select a remote printer name.

Example: `d1prn`

8. Check for a remote printer on a BSD system. Type "Y".
9. Choose "OK" at the bottom of the menu. If the configuration is successful, the program prints the message

The printer has been added and is ready to accept print requests.

10. Choose "OK" and select "Exit" from the List menu.
11. Select "Exit Sam".

You now have a new printer that relies on LPR/LPD to print to an M307 printer. Use the following command to test printing:

```
lpr -Pprintername filename
```

For example,

```
lpr -Plaser /etc/hosts
```

Solaris 2.X LPR setup

You can manually add an LPR setup for Solaris 2.X systems by executing the following commands as root user.

```
lpsystem -t bsd ipname  
lpadmin -p localqueue -s ipname!destination  
accept localqueue  
enable localqueue
```

For example,

```
lpsystem -t bsd np5353  
lpadmin -p myqueue -s np5353!d1prn  
accept myqueue  
enable myqueue
```

Printing from AIX

IBM has a unique print spooler system that uses the **qdaemon** program. AIX Version 4.0 and above offer LPR/LPD support for network printing. This means to set up a new printer under this operating system, you only need to define these two parameters:

- **M307 IP address** - the IP address or host name of the print server you want to print to.
- **M307 destination/queue** - a predefined name on the print server telling the device which I/O port to send the jobs to. You will most likely use "**d1prn**" for the PRN port.

Setting the IP address

Use the following steps to interface with the M307 using **rsh**:

1. Log onto your AIX workstation as **root**.
2. Add an entry to the host table by typing in the command line

```
arp -s ether ip_address M307address temp  
arp -s ether 192.168.11.32 00:80:72:09:00:60 temp
```

M307address is located on the bottom of the unit. *ip_address* is assigned.

7. Configuring Printers in UNIX

Printing from AIX

3. Connect to the M307 by typing

```
telnet IPaddress
```

If prompted for a "User ID" and password, type in "root" for the ID and press ENTER at the password prompt since the default is no password.

4. You should now see a prompt displayed that has the M307's IP address followed by a colon then root.

```
IPaddress:root>
```

5. To view the Print Server's current settings, type **list tcpip** then configure the TCP/IP Configuration option that you wish to configure such as the subnet mask or default router/gateway address. For example,

```
store tcpip route add|del default routerIPaddress ifnum
```

where "**ifnum**" is "1" for the Ethernet network. See [Store commands](#) on page 87 for additional information.

6. Log out of the Telnet session with **quit**. Restart the M307 by powering the unit off and on.

Set up printing on AIX 4.x

1. Log in as **root** and type

```
smit mkrque
```

2. From the Attachment Type field, choose "remote".

3. Type an entry for the option you want to configure for remote printing:

Name of Queue to Add Type the name of the local print queue.

HOSTNAME of Remote Server Type the HOSTNAME of the M307
you added to the host table.

Name of QUEUE on Remote Server Valid QUEUE names are
LPT_PASSTHRU (for PCL,
PostScript or application files), or
LPT_TEXT (for standard AIX files)

Type of Print Spooler on Remote Server Click list, then click BSD, the printing
protocol of the M307.

4. Click "OK" then "Done" to save your configuration.
5. Click "Cancel" to exit **smit**.

You now have a new printer from which to print to an M307 printer. Use the following command to test printing:

```
lpr -Pprintername filename
```

For example,

```
lpr -Plocal_print_queue /etc/hosts
```

local_print_queue is the name you assigned in the Name of Queue to Add field in step 3 above.

Printing Using the FTP Daemon

The following example shows how to print a file using FTP.

1. Change to the local directory where the file to print resides.
2. Login to the M307 using **ftp**, as **guest**, **root**, or **anonymous**:

```
ftp ipname
```

Guest and **root** users require the use of passwords as configured in the unit's user list. **Anonymous** is a special login that does not require a password.

3. Change to the **/dest** directory:

```
cd dest
```

4. List the contents of this directory using the "**dir**" command and determine which destination/queue you'd like to send the print job through. Most likely you will select "**d1prn**".

5. Change to this destination directory. For example,

```
cd d1prn
```

6. Change the mode to correspond to the type of file to be printed. Choose binary mode if the file to be printed contains both text and graphics and ASCII mode if the file is text only. The default mode is always ASCII.

```
bin
```

7. Copy the file you want to print to this directory:

```
put filename
```

The file is spooled and printed.

8. Logout of the FTP session:

```
quit
```

Direct Socket Printing

Within TCP/IP environments, there are some setups that require the host to print directly to a TCP port number on the M307, bypassing all of the higher-level destination/queue names. If you run into a setup that requires this, you will need to define two parameters for a new print setup:

- | | |
|-----------------------------|---|
| M307 IP address | the IP address or host name of the Print Server you want to print to. |
| M307 TCP port number | a predefined number (4400) for the I/O port on the Print Server. |

Though the host will be sending directly to the TCP port number on the M307, the port number is still mapped to destinations/queues in case there is some type of special processing or logging to be done to the job. However, the destination name does not come into play within this type of printer definition. Just the two parameters mentioned above need to be defined for printing to work.

Troubleshooting Tips

Communication problems

Cannot Ping the M307

There are a number of possible reasons for this.

- Have you restarted the M307? Sometimes this will solve various communication problems.
- Are the network cables securely connected?
- Have you checked your network connection to the M307? If possible, try it at a new location on your network or swap in another device.
- Have you made an entry in your host table (*/etc/hosts*, *host nis* map, or DNS name table) for the M307?
- Have you tried to **ping** with the IP address instead of the IP name? This will eliminate any name-lookup issues and focus more on the communications between the M307 and your host.
- Is it possible that a duplicate IP address has been assigned?
- Did you use the correct netmask for your particular environment?
- Has the M307 been moved from another network? If so, it needs to be reconfigured to integrate with its new location. This includes, at minimum, a new IP address and netmask. Please see *Resetting to Factory Defaults* on page 95 for possible configuration methods.

7. Configuring Printers in UNIX

Troubleshooting Tips

- Is there a router between the M307 and your host? If so, a default router or a static route must be configured on the unit so the M307 knows how to get its response back to the originating host. Please see [Store commands](#) on page 87.
- Have you set any hosts or networks in the M307's TCP access list? If so, only these entries can access the unit. Please see [list \[default/stored\] tcpip](#) on page 76 (in [Table 6](#)) to view current entries.
- Do you have a RARP or BOOTP server running on your network? By default, the M307 comes with the RARP and BOOTP request turned *on*, so although you may have stored a particular network configuration in the unit's EEPROM, a RARP or BOOTP server may supply new *network* parameters upon bootup. To turn off RARP and BOOTP on the unit, please see [list \[default/stored\] tcpip](#) on page 76.

If none of these help, try the following:

- Reset the unit to default settings. Please see [Resetting to Factory Defaults](#) on page 95. Once the unit is in the default state, use one of the configuration options listed in "M307 Configuration" above to reconfigure it.

Cannot Telnet to the M307

If you are unable to **ping** the M307 as well, please see [Communication problems](#) on page 49. If it is **telnet** only that you are having problems with, these points should be considered:

- Are you able to **telnet** to another host on your network or **telnet** from another host? If not, look into your host's TELNET configuration.
- Have you tried restarting the M307?
- Are the dipswitches in the "off" position?
- Does the fourth octet of the M307's given IP address equal 0 or 255? Each of the four octets in the IP address should be between 1 and 254.

Printing problems

Print setup complete but nothing prints

This can be the most frustrating problem. Here are some things to check:

- Are you able to communicate with the M307? If you are having communication problems, please see [Communication problems](#) on page 49.
- Is the printer online and in the correct mode for the file being sent to it?
- Is the printer spooler up and running on the host?
- Have you confirmed communications between the M307 and the printer? This can easily be done with the ASCII output tests provided on the unit. Please see [start fox/tts/loopb prn](#) on page 93 for information on these various tests. If you are not successful with these, look at flow control, I/O port settings, or the cable.
- Is anything happening on the printer when the print job is sent? Sometimes, the print job may have gotten to the printer but just may need a manual formfeed. If this is the case, please see [set model model trailer trailerstring](#) on page 80 for information on trailer strings.

7. Configuring Printers in UNIX

Troubleshooting Tips

- Is the print job data even getting to the M307? Once you've sent the job from the host, try continuous **lpstat** commands on the M307. You should see the byte count for that particular port incrementing as the job passes through. If you are not seeing this happen, you may need to try a larger job or consider some of the other suggestions in this section.
- Are there any error messages in your Email, a log file, or other standard error files on your particular host? These messages can be very helpful in narrowing down the problem.
- Are all permissions correct on relative directories and files to be printed?
- Is the destination or I/O port on the M307 disabled? Please see [Debug commands](#) on page 73.

If you are not able to print successfully yet, try the following:

Avoid the print spooler altogether by printing directly to the M307 from your host. If you are successful, go over your host's print setup. For example:

```
cat test.txt | rsh spike lp -d d1prn
```

This sends **test.txt** to an M307 Print Server named **spike**, to be remotely printed on the printer attached to **d1prn**. The print spooler is not used at all.

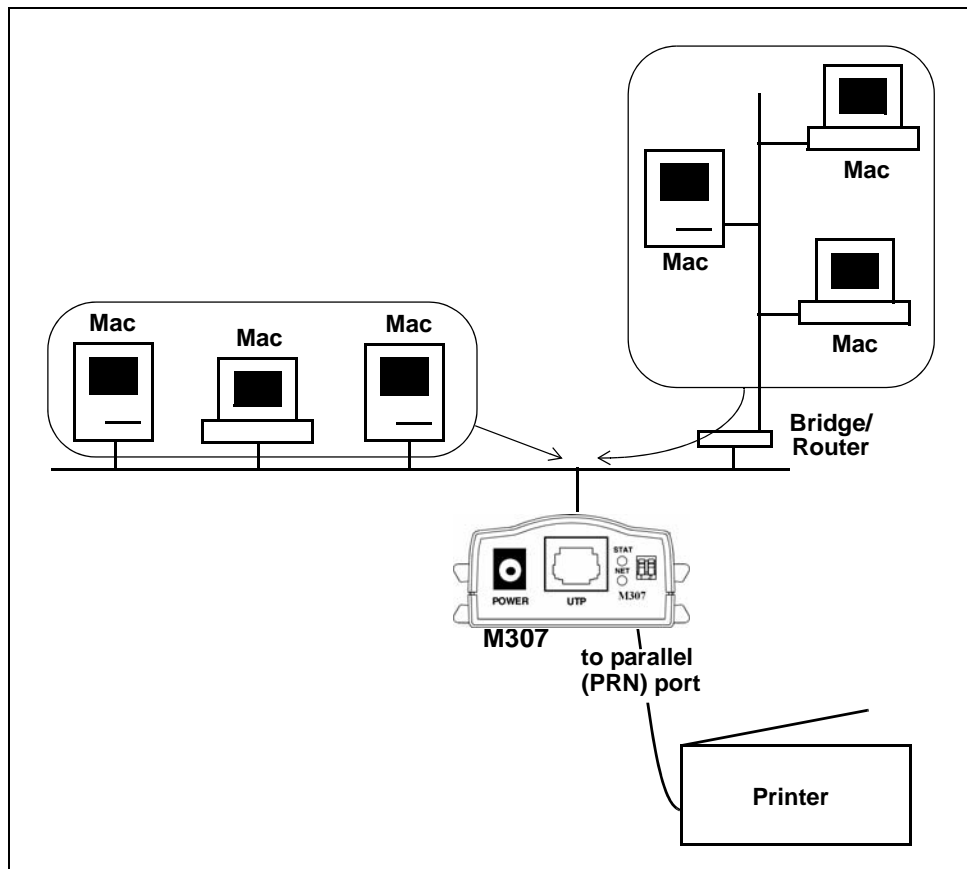
8 CONFIGURING PRINTERS IN MAC OS X

This chapter details a complete printer setup for Mac OS X 10.3. For assistance with your particular version of OSX, please refer to the online help system (click on “Mac Help” in the Help menu of Finder.)

Environment Description

The M307 supports network printing under TCP/IP environments by utilizing LPR. Multiple stations in multiple zones can print simultaneously to the M307 as seen in [Figure 14](#).

Figure 14—Mac OS Integration



M307 Configuration Requirements

Required: The M307 must be configured with an IP address and subnet mask before it can be seen on the network, since printing depends on TCP/IP.

Optional: Additional settings such as routing entries can also be configured, allowing communication across subnets.

Procedures for these requirements are described in Chapter 5, *Configuring the M307 on Your Network*. To configure an IP address and subnet mask on your M307, Microplex recommends the use, if possible, of their TCP/IP configuration utility Waldo, which is described in detail on [page 23](#).

Printer Configuration

The IP address for the M307 must be created (*Configure an IP address for the M307 using the ARP command* on page 21) and assigned to the M307 (*Configure the M307 IP address and subnet mask* on page 21) before using any of these procedures.

Mac OS X

1. Open System Preferences, click Print & Fax, click Printing, and then click the Set Up Printers button.
2. Click the Add button.
3. Under Printer Type select “LPD/LPR”, under Printer Address type either the DNS name or IP address associated with the M307 Print Server, and under Queue Name type the desired M307 destination name (such as **d1prn**).
4. Under Model, choose the printer’s manufacturer and then choose the printer model from the list below.
5. Click the Add button. You will now be able to print to this printer from within your applications.

Troubleshooting Tips

Errors Occurring When Defining an LPR Printer

- Can you "ping" the M307? If not, please see [M307 will not talk on the network](#) on page 26.
- Did you specify the correct IP address or host name for the M307?
- Did you specify a valid destination/queue on the M307? If so, did you also enter it in lowercase letters, **d1prn**?

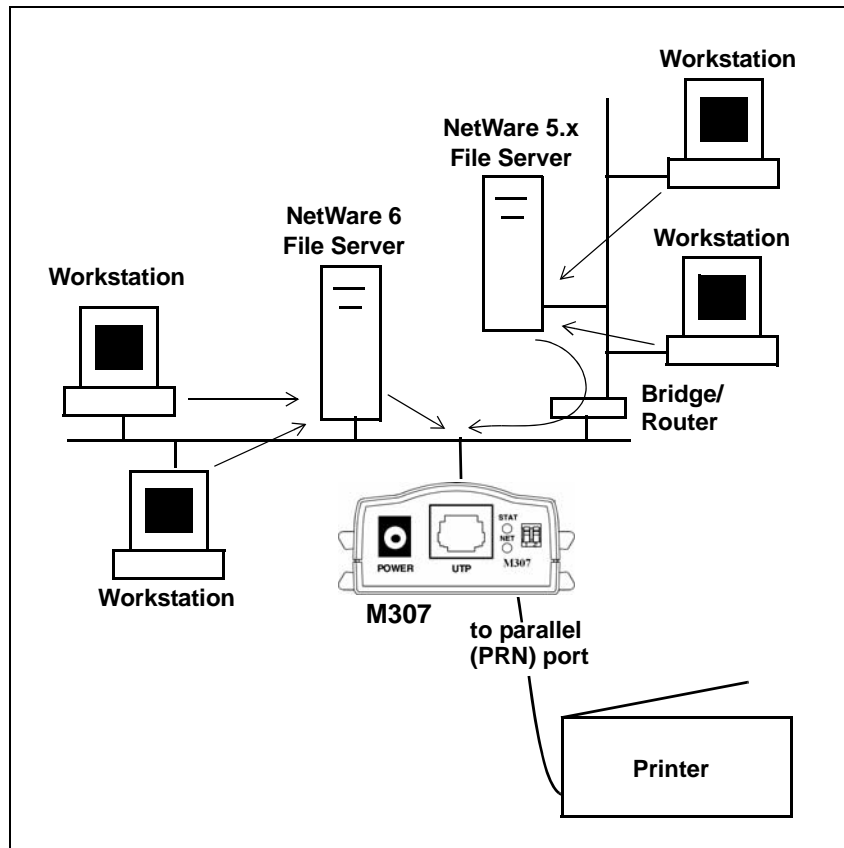
9 CONFIGURING PRINTERS ON A NOVELL SERVER

This chapter details a complete printer setup on Novell 5.x and Novell 6 servers.

Environment Description

The M307 supports network printing in TCP/IP environments by utilizing LPR. Multiple stations can print simultaneously to the M307 as seen in [Figure 15](#).

Figure 15—Novell Integration



M307 Configuration Requirements

Required: The M307 must be configured with an IP address and subnet mask before it can be seen on the network, since Windows printing depends on TCP/IP.

Optional: Additional settings such as routing entries can also be configured, allowing communication across subnets.

Procedures for these requirements are described in Chapter 5, *Configuring the M307 on Your Network*. To configure an IP address and subnet mask on your M307, Microplex recommends the use of their TCP/IP configuration utility Waldo, described in detail on [page 23](#).

Printer Configuration

Novell 5 and 6

Although creating an NDPS broker and manager can be done at the file server console with the necessary NLMs loaded, the procedures outlined below use the NetWare Administrator only.

The steps for configuring the M307 on a Novell network are:

- [Step 1: Create an NDPS Broker](#)
- [Step 2: Create an NDPS Manager](#)
- [Step 3: Create Printer Agents \(LPR in TCP/IP\)](#)
- [Step 4: Create Printer Agents for queue-based printing](#)

Procedures for each step are provided in the following sections.

Step 1: Create an NDPS Broker

1. Open NetWare Administrator and highlight the appropriate container for the new NDPS Broker object.
2. Choose Object → Create.
3. Choose NDPS Broker.
4. Enter the Broker name.
5. Browse to find a volume in which to store the NDPS Resource database.
6. Click "Create" to exit and create the NDPS Broker object.

Typically you need only one NDPS Broker, one NDPS Manager and as many Printer Agents as there are actual printers attached to the network. You must create a NDPS Manager for each file server that is attached to a printer.

9. Configuring Printers on a Novell Server

Printer Configuration

Step 2: Create an NDPS Manager

1. Open NetWare Administrator and highlight the appropriate container for the new NDPS Manager object.
2. Choose Object → Create.
3. Choose NDPS Manager.
4. Enter the NDPS Manager Name.
5. Browse to find a server and volume in which to store NDPS data.
6. Click Create to exit and create the NDPS Manager object.

Step 3: Create Printer Agents (LPR in TCP/IP)

1. Open NetWare Administrator and highlight the appropriate container for the new NDPS Printer Agent object.
2. Choose New Object → Create.
3. Choose NDPS Printer.
4. Fill in the NDPS Printer name.
5. Select "Create a New Printer Agent".
6. Choose the NDPS Manager.
7. Specify "Novell Printer Gateway" and click "OK".
8. Select a printer model and Novell Port Handler.
9. Select the connection type as "Remote LPR on IP".
10. Enter the host address (M307 IP address) and printer name (e.g., d1prn, d2prn, d3prn, or d4prn).
11. Select the printer driver for each client operating system.

Step 4: Create Printer Agents for queue-based printing

This configuration has been subjected to extensive system testing and is being provided based on customer reports. We cannot offer support at this time.

1. Open NetWare Administrator and highlight the appropriate container for the new NDPS Printer Agent object.
2. Choose New Object → Create.
3. Choose NDPS Printer.
4. Fill in the NDPS Printer name.
5. Select "Create a New Printer Agent".
6. Choose the NDPS Manager.
7. Specify "Novell Printer Gateway" and click "OK".
8. Select a printer model and Novell Port Handler.
9. Select the connection type as "Forward Jobs to Queue".
10. Select the Queue name and Queue user name.
11. Select the printer driver for each client operating system.

10 USING HTML PAGES TO CONFIGURE THE M307

This chapter describes the HTML pages provided with the M307. The Print Server settings can be configured and its status observed at any time, by calling up these pages.

The following HTML pages are described here:

- *Accessing the M307 HTML Pages* on page 58
- *M307 Home Page* on page 59
- *Network Forms* on page 60
- *Print Path Forms* on page 61
- *I/O Port Forms* on page 65
- *Administration Form* on page 66
- *Status Pages* on page 67
- *Restart Page* on page 68
- *Help Page* on page 69

Accessing the M307 HTML Pages

To access the M307's HTML pages:

1. Ensure that the Print Server has an IP address and subnet mask so that it is identifiable on your TCP/IP network.
2. Ensure that your network station can successfully "ping" the M307 over the network.
3. Direct your Web browser to the Uniform Resource Locator (URL):

`http://M307IPaddress`

For example: **`http://192.168.11.9`**

4. When prompted for a User ID and Password, type in "root" for the ID and press ENTER at the password prompt.

The default is no password set. Alternatively, if a password has been configured, type it and then press ENTER.

10. Using HTML Pages to Configure the M307

M307 Home Page

Each page can be accessed directly by directing your browser to the URL:

`http://M307IPaddress/filename.html`

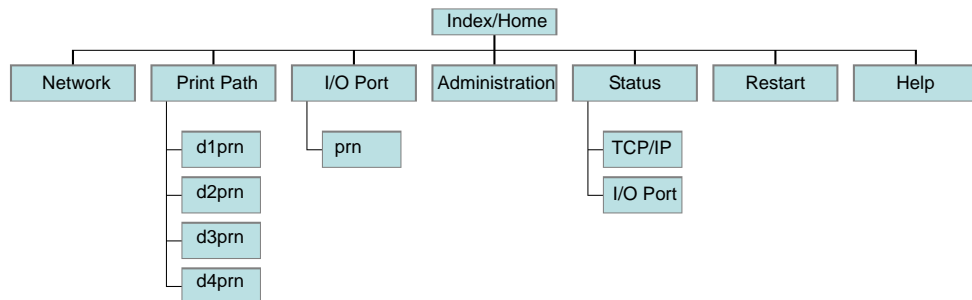
where "*filename*" is one of:

<code>tcpipConf</code>	Network: TCP/IP form
<code>destConf</code>	Print Path: d1prn form
<code>prnConf</code>	I/O Port: d1prn form
<code>adminConf</code>	Administration form
<code>tcpipStatus</code>	Status: TCP/IP status page
<code>restart</code>	Restart page
<code>help</code>	Help page.

M307 Home Page

The Home page for the M307 Print Server provides a menu of pages (see [Figure 16](#)) that can be viewed or programmed and a link to the Microplex Internet Web site. It also provides some basic system information for the M307.

Figure 16—M307 HTML Menu Structure




System Information

The first three fields of this page, Label, Location, and Contact, can be changed by going to the Administration page. The other fields are information provided by the M307 Print Server itself.

Figure 17—M307 Home Page

[Home](#)
[Network](#) | [Print Path](#) | [System Log](#) | [I/O Port](#) | [Administration](#) | [Status](#) | [Restart](#) | [Help](#)



M307 Home

Check out our [web site](#) for product information, technical support, downloads and other cool stuff!

System Information:

Name:	mplx0d0208
Location:	
Contact:	
Serial Number:	520
Firmware Version:	1.9.75
Compiled:	2007/06/25 12:14:02
Hardware Address:	00:80:72:0d:02:08
Licensed Modules:	rtos

Network Forms

TCP/IP

The Network TCP/IP page appears as shown in [Figure 18](#).

Figure 18—Network TCP/IP Form for Ethernet Networks

[Home](#)
[Network](#) | [Print Path](#) | [System Log](#) | [I/O Port](#) | [Administration](#) | [Status](#) | [Restart](#) | [Help](#)
[Wired](#) | [Routing](#)

Wired 10/100Mbps Ethernet

Current Settings	Options:	<input checked="" type="checkbox"/> RARP	<input type="checkbox"/> BOOTP	<input type="checkbox"/> DHCP
	IP Address	172.16.1.129		
	Subnet Mask	255.255.0.0		
	Default Gateway			
	DNS Server	<input type="text"/>		
	Domain Name	<input type="text"/>		
Stored Settings	Options:	<input checked="" type="checkbox"/> RARP	<input type="checkbox"/> BOOTP	<input type="checkbox"/> DHCP
	Static IP Settings:			
	IP Address	<input type="text" value="172.16.1.129"/>		
	Subnet Mask	<input type="text" value="255.255.0.0"/>		
	Default Gateway	<input type="text"/>		

Note: Changes to fields with gray background only take effect after a [restart](#).

Interface 1

Interface 1 settings are for Ethernet connections to the host.

10. Using HTML Pages to Configure the M307

Print Path Forms

Configure the IP Address and Subnet Mask fields if the Print Server has a permanent IP address. Checkboxes enable the **RARP**, **BOOTP**, and **DHCP** protocols, which are alternate methods of assigning IP addresses from a central server. Print servers with a permanent IP address and subnet mask typically disable all these checkboxes.

Default: Unconfigured (blank) IP address and subnet mask; RARP, BOOTP and DHCP requests enabled.

Routing

The routing table tells the Print Server which router or gateway to forward packets for other networks to. You can leave this section blank if you are not communicating across a router (from one network to another). In most other situations, you simply add your router's IP address in the default Gateway field.

If you have more complex routing requirements, add static routing entries for specific hosts or networks in the remaining **Routing** fields. Packets with IP addresses that match a given **Destination** and **Mask** will be routed to the router/gateway named in the **Gateway** field. Packets that do not match any of the listed Destinations and Masks will be routed to the default router, if one is set.

Default: Unconfigured (blank).

DNS Server

Enter the IP address of the local domain name service (DNS) host in this field. This allows the Print Server to automatically resolve hostnames (e.g., host.domain.com) to IP addresses (e.g., 192.168.0.42).

Print Path Forms

A print job follows a path through the Print Server. The job is submitted by the client to a **destination/queue** (e.g., d1prn) where an associated **model** (e.g., m1) defines the processing that must be done to the job (e.g., ASCII to PostScript conversion). The **syslog** determines how job reporting is done. The end of the path is an **I/O port** (e.g., PRN) where data passes through to an attached printer.

The "Print Path" form ([Figure 19](#)) displays one destination's settings at a time. From here, you can then select another destination from the Print Path submenu, or you can go directly to an I/O port to configure port settings.

Figure 19—Print Path Form

[Home](#)
[Network](#) | [Print Path](#) | [System Log](#) | [I/O Port](#) | [Administration](#) | [Status](#) | [Restart](#) | [Help](#)
[d1prn](#) | [d2prn](#) | [d3prn](#) | [d4prn](#)

Print Path

Destination Settings: d1prn

Name	<input type="text" value="d1prn"/>
BackChannel	<input type="radio"/> prn <input checked="" type="radio"/> none
Services	<input checked="" type="checkbox"/> socket <input checked="" type="checkbox"/> lpd <input checked="" type="checkbox"/> lpsched <input checked="" type="checkbox"/> ftpd
Model Type	<input checked="" type="radio"/> raw <input type="radio"/> a2ps <input type="radio"/> pcl-ps
Banner Page	Type: <input checked="" type="radio"/> none <input type="radio"/> Postscript <input type="radio"/> text <input type="radio"/> auto Position: <input checked="" type="radio"/> before <input type="radio"/> after
Filter	<input type="checkbox"/> insert carriage return after line feed
Header String	<input type="text" value="(None)"/> <input type="text" value="(None)"/> <input type="text" value="(None)"/> <input type="text" value="(None)"/>
Trailer String	<input type="text" value="(None)"/> <input type="text" value="(None)"/> <input type="text" value="(None)"/>
Language	<input checked="" type="radio"/> English <input type="radio"/> Japanese Format: <input type="text" value="SJIS-TG"/>

Destination Settings

When "Print Path" is selected from the main menu, the destination settings for the first destination, d1prn, are shown by default.

Name Name of the destination.

Default: d1prn, d2prn, d3prn, or d4prn depending on which submenu form is being displayed.

Back Channel I/O port to receive printer feedback when a print job passes through this destination.

10. Using HTML Pages to Configure the M307

Print Path Forms

A PRN port or "none" can be selected. If a PRN radio button is selected, then click on the label for that button to go directly to the I/O Port page to configure the port mode setting.

Default: None.

Services

Define the type(s) of print services the destination will support.

socket	printing to a TCP port number (e.g., 4000)
lpd	remote printing using the Line Printer Daemon
ftpd	printing using the File Transfer Protocol (FTP)

Default: d1prn, d2prn, d3prn, d4prn have all services enabled.

Model Type

Define the processing that will be performed on print jobs passing through the associated destination.

raw	job data to pass through unchanged
a2ps	text jobs to be converted to PostScript and PostScript jobs to pass through
pcl-ps	job format is determined and the attached printer is switched to the appropriate emulation mode (i.e., PCL or PostScript) for printing

Default: Raw.

Banner Page

Whether or not to produce a banner page data for each job, what type, and what position.

none	no banner page
Postscript	produce banner page data in PostScript format
text	produce banner page data in text format
auto	automatically determine which banner page data format should be sent with each job, based on its data format

You can also specify whether the banner page should come at the front (before) or the end (after) of a print job.

Default: No banner page ("none").

Filter

Specify whether linefeeds (0x0A) are converted to carriage return/linefeeds (0x0A/0x0D). Use this option sparingly; the extra processing reduces throughput significantly.

Default: Unconfigured (blank).

Header String

Defines a string to be sent to the printer before each print job. For example, you may want to send a sequence for jobs to be printed in landscape mode or for a certain tray on the printer to be used.

10. Using HTML Pages to Configure the M307

Print Path Forms

Up to four separate sequences can be specified per header string. The Print Server will execute them in order from top to bottom. If specifying fewer than four sequences, be sure to start at the top, leaving undefined fields at the bottom.

The most common sequences are listed on the form:

Switch to PCL	tell the printer to switch to PCL mode
Switch to PostScript	tell the printer to switch to PostScript mode
Print to upper tray	tell the printer to use the upper tray's paper
Printer to lower tray	tell the printer to use the lower tray's paper
Print landscape	tell the printer to print in landscape mode
Print portrait	tell the printer to print in portrait mode

Default: Unconfigured: ("None").

Trailer String

Defines a string to be sent to the printer after each print job. For example, you may want to send a sequence to add a formfeed so you don't have to manually press the formfeed button on the printer.

Up to three separate sequences can be specified per trailer string. The Print Server will execute them in order from top to bottom. If specifying fewer than four sequences, be sure to start at the top, leaving undefined fields at the bottom.

The most common sequences are listed on the form:

PCL Reset	tell the printer to reset itself once the data completes
End of Transmission (EOT)	tell the printer to force the end of the job
Formfeed	tell the printer to do a formfeed at the end of the data

Default: ("None").

syslog Type

Define what type of log information will be tracked for each print job passing through the associated destination.

queued	uptime, job type and ID, host IP queued
started	uptime, job type and ID, host IP started
ended	uptime, job type and ID, host IP ended
cancelled	uptime, job type and ID, host IP cancelled
error	status of parallel port printers based on parallel interface signals

Default: Unconfigured (blank).

10. Using HTML Pages to Configure the M307

I/O Port Forms

syslog Port Define where logging information for print jobs will be reported.

none	don't report any logging information
TCP/IP port	report to TCP port number, 4010
syslog	report to a host (specify the IP address in the edit field) running a SYSLOG daemon
email	report to an email address (specify an email address with an IP address rather than a hostname)

Default: None, logging disabled.

I/O Port Forms

An I/O port configuration form can be reached through a Print Path destination form (by clicking on a port) or by selecting I/O Port from the main menu. There are two forms, one for the parallel port ([Figure 20](#)) and one for the serial port.

Parallel Port (PRN)

The timing of the parallel port can be controlled with the mode setting.

Figure 20—I/O Port Parallel Port Settings Form

I/O Port 

Parallel Port Settings: PRN

Mode	<input checked="" type="radio"/> slow	<input type="radio"/> centronics	<input type="radio"/> fast
------	---------------------------------------	----------------------------------	----------------------------

slow	slowest data transfer rate
centronics	data transfer rate appropriate for most centronics printers
pc	data transfer rate similar to PC parallel interface
fast	fastest data transfer rate
bit bucket	throw data away

Default: PC mode.

Administration Form

The Administration Configuration form (Figure 21) is displayed when "Administration" is selected from the main menu. It is broken down into general print server-related settings and password security.

Figure 21—Administration Form

Administration

System Information

Name	<input type="text" value="mplx0d0208"/>
Location	<input type="text"/>
Contact	<input type="text"/>

Passwords

Root Password	Old: <input type="text"/>	New: <input type="text"/>	Confirm: <input type="text"/>
Guest Password	Old: <input type="text"/>	New: <input type="text"/>	Confirm: <input type="text"/>

Note: Reauthorization is necessary after changing a password.

System Information

**Label,
Location,
Contact**

Free format fields for user. A label for the Print Server, its location, and contact information for support can be entered in these fields and they will appear on the M307 home page.

Default: Unconfigured (blank).

Passwords

All settings are protected by a password so that only authorized users can make changes. When you try to open any configuration page, you will be asked for a user name and password. At the prompt, you will need to enter **root** (unless you have another user configured with root privileges) followed by the associated password. If there is no password, leave the field blank and press ENTER.

Settings can only be altered by a user with root privileges; guest users can only view settings. Both types of users can be assigned passwords. To change a password, type the old password in the "Old" field. Then type the new password twice: once in the "New" field and once in the "Confirm" field.

Default: Blank passwords for root and guest users.

Status Pages

The TCP/IP Status page appears when "Status" is selected from the main menu. Two submenu options are available on this page: TCP/IP and I/O Port.

TCP/IP

Use this form to troubleshoot network-related problems. Network status indicators are recorded in this page; there are no configured settings. The page refreshes every minute. The ARP table and TCP connection information are displayed.

Figure 22—Status TCP/IP Web page

[Home](#)
[Network](#) | [Print Path](#) | [System Log](#) | [I/O Port](#) | [Administration](#) | [Status](#) | [Restart](#) | [Help](#)
[TCP/IP](#) | [I/O Port](#)

TCP/IP Status

Arp Table

```
-- ARP TABLE (IFNUM: 1) -----
INTERNET  ETHERNET  FRAMETYPE  USE  TTL  COUNTER
172.16.1.32  02:07:01:1b:bc:d1  ethernet2  1  600  1118
172.16.1.51  00:08:74:ad:f3:5e  ethernet2  1  600  2737
```

DHCP

```
-- Network DHCP Information (IFNUM: 1) -----
State: OFF
Server:
Lease duration: 0 days, 00:00:00
Renew duration: 0 days, 00:00:00
Rebinding duration: 0 days, 00:00:00
Time until renewal: N/A
Print Server Uptime: 0 days, 02:17:29
```

TCP Connections

```
-- TCP COUNTERS -----
pkts rcvd: 3163          pkts sent: 4560
err pkts rcvd: 0        retransmissions: 0
conn attempts: 73      conn dropped: 0
conn accepted: 73      reset pkts sent: 1
close errors: 0
```

```
-- TCP SOCKETS -----
INDX IFNUM PORT  HOST (PORT)  STATE  RCVQ  SNDQ  RCVTOT  SNDTOT
0 - 23 (N/A) LISTEN  0  0  0  0
1 - 515 (N/A) LISTEN  0  0  0  0
2 - 4010 (N/A) LISTEN  0  0  0  0
3 - 21 (N/A) LISTEN  0  0  0  0
4 - 4400 (N/A) LISTEN  0  0  0  0
5 - 9100 (N/A) LISTEN  0  0  0  0
6 - 80 (N/A) LISTEN  0  0  0  0
7 1 23 172.16.1.32 (43940) ESTAB  0  0  189  5632
8 1 80 172.16.1.51 (4628) ESTAB  0  829  542  1884
```

NOTE: This page refreshes every minute.

I/O Port

The I/O Port Status form displays the status of each I/O port. A submenu of I/O ports (PRN and COM) is displayed and a view of either port can be selected. By default, PRN settings are displayed when I/O Port is first selected from the Status submenu.

Figure 23—Status I/O Port Web page

I/O Port

PRN

I/O Port Settings

Status	idle
Interface	online busy out-of-paper
Control	mode(cen)

I/O Port Print Jobs

Active:
Queued:

NOTE: This page refreshes every minute.

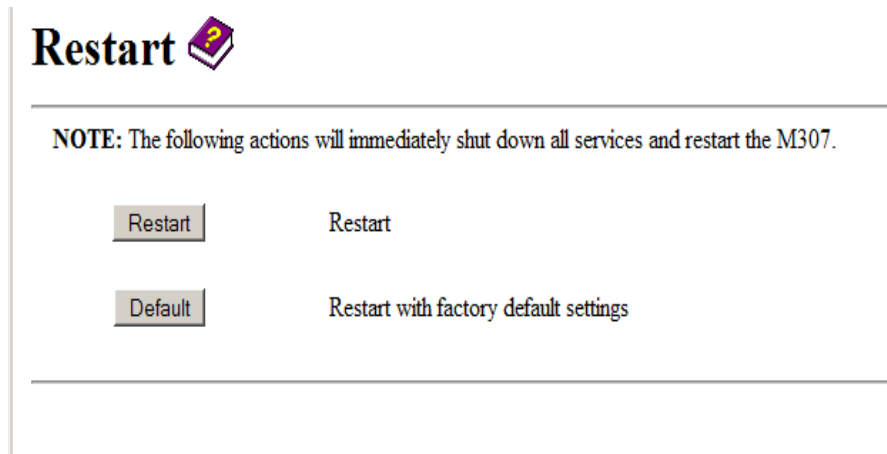
If you see "waiting" in the "Status" line, this indicates the Print Server is either waiting for data from the host or back channel data from the printer. If you see "blocked" in this line, this indicates the printer is busy. The printer could be processing data it has already received or it could be in an error state.

Default: There are no configurable fields in this page. The default status for an unconnected port is "online busy out-of-paper".

Restart Page

The Restart page ([Figure 24](#)) allows you to restart the Print Server with one of three options.

Figure 24—Restart Web page



Restart Restart the Print Server with any new settings that have been configured or changed in these forms.

Default Restart the Print Server with the factory default settings.

Upgrade Restart the Print Server into FTP upgrade mode.

Help Page

Selecting "Help" from the main menu opens the Help information page with all of the Help information available for these forms. This page can also be opened at the appropriate location by clicking on the Help book icon at the top of each HTML form or page.

11 REFERENCE INFORMATION

This chapter describes some of the most common features of the M307:

- [M307 Command Line Interface Shell \(npsh\)](#) on page 70: a description of the built-in command line interface shell, **npsh**, along with a table of the most common commands
- [Complete Command Reference](#) on page 73: syntax and descriptions of all commands available in the npsh command line interface shell
- [M307 Naming Scheme](#) on page 94: important predefined names
- [User Accounts and Permissions](#) on page 95: logging in as a "root" or "guest" user
- [Resetting to Factory Defaults](#) on page 95: how to reset the unit to factory default settings
- [Performing Firmware Upgrades](#) on page 96: a complete overview of the Flash upgrade procedure

M307 Command Line Interface Shell (npsh)

Within the M307, the command line interface shell "**npsh**" is built into the firmware. It allows you to manipulate objects such as destinations, models, and I/O ports and also provides some monitoring and troubleshooting capabilities.

npsh access methods

Access the command line interface shell using these methods:

HTML Forms	When you configure a setting using the built-in HTML configuration forms, npsh commands are actually executed remotely on the M307.
Telnet Session	Opening a Telnet session with the M307 allows you to log into the device and access the npsh command line interface shell. (e.g., " telnet 192.168.11.9 ")
Remote Shell Command	Remotely executes one npsh command at a time from your local TCP/IP station. (e.g., " rsh spike list prn ")

Main npsh command prefixes

The four main command prefixes within the npsh command line interface shell:

- | | |
|--------------|---|
| store | Change settings stored in Flash. When the " store " prefix is used, the M307 must be restarted to apply the changes to the system. Since " store " affects Flash settings only, the Print Server must reset and read the new settings now in Flash. |
| set | Change current/working settings in memory. When the " set " prefix is used, a " save " command must be executed as well so that the new settings are retained after power cycles. Since " set " only affects the settings in memory, they will be lost after a power cycle unless they are saved into Flash ROM. |
| list | View current/working settings in memory. |
| debug | View certain debugging information. |

npsh prompt

When npsh is accessed through a Telnet session, a prompt is displayed after login to indicate that it is ready to accept a command from the user. The Telnet prompt is formatted **ipaddress:userid>** where *IPaddress* is the IP address of the M307 and *userid* is the user ID of the currently logged-in user. For example,

```
192.168.11.32:root>
```

where **192.168.11.32** is the M307's IP address and the user is **root**.

Getting command help

The M307's command line interface shell provides several online help tools. These include:

- | | |
|-------------------------|---|
| "?" Command | Typing "?" once logged in to the command line interface shell will produce a full list of all commands available. |
| Command Prefixes | Typing in the beginning of a command will produce an error message showing the correct syntax. For example, typing in " store tcpip " will produce a list of all commands that start with this prefix. |

Common npsh commands

The npsh command line interface shell consists of more than 50 commands. [Table 4](#) outlines some of the more common commands. For a complete command reference, please refer to [Complete Command Reference](#) on page 73.

11. Reference Information

M307 Command Line Interface Shell (npsh)

Note: When you encounter the word "*ifnum*", substitute "1" for an Ethernet network or "2" for a wireless network.

Table 4—Common Commands

Command Syntax	Description
<code>store tcpip ifnum addr IPaddress</code>	Store the IP address for the M307.
<code>store tcpip ifnum mask netmask</code>	Store the subnet mask for the M307.
<code>store tcpip route add default routerIPaddress ifnum</code>	Store a default router/gateway for the M307 to forward remote packets to.
<code>store tcpip ifnum opts [[-]rarp] [[-]bootp] [[-]dhcp]</code>	Control RARP, BOOTP, and DHCP requests for IP addresses.
<code>set prn mode slow cen fast</code>	Configure the speed of the parallel port.
<code>set prn handshake [[-]busy] [[-]lack] [[-]perror] [[-]fault] [[-]select]</code>	Configure the handshake of the parallel port.
<code>set dest name newname</code>	Change the name of a destination/queue.
<code>list tcpip</code>	List the current TCP/IP network settings.
<code>list prn</code>	List the current settings of the I/O port.
<code>list dest</code>	List the current destination/queue settings.
<code>list model</code>	List the current model settings.
<code>list sysinfo</code>	List current system information for the M307.
<code>cancel jobID</code>	Cancel a queued job.
<code>save</code>	Save all current settings to Flash.
<code>reset</code>	Reset the M307.
<code>ping IPaddress</code>	"ping" another TCP/IP host on the network.
<code>telnet IPaddress [escapecharacter]</code>	"telnet" to another TCP/IP host on the network. If <code>escapecharacter</code> is used, it resets the key sequences to exit the Telnet session.

Table 4—Common Commands

Command Syntax	Description
<code>start fox tts loopb prn</code>	Begin a debugging test on an I/O port of the M307. These tests confirm that the M307's parallel (or serial) port is communicating properly with connected devices. fox - A continuous stream of text sent to the attached printer. tts - A continuous stream of Gandalf 400C TTS-compatible text sent to the attached printer. loopb - Loopback test. Any input characters from the device attached to the I/O port are echoed back.
<code>stop all prn</code>	Stop an output test on the I/O port.
<code>quit</code>	"Quit" the npsh command line interface shell.

Complete Command Reference

This section outlines the entire M307 command set including the command syntax, a description, and in most cases, an example for each command listed. These commands are available in the npsh command line interface shell. See [M307 Command Line Interface Shell \(npsh\)](#) on page 70 for information on accessing these commands

- [Debug commands](#) on page 73
- [List commands](#) on page 75
- [Set commands](#) on page 76
- [Store commands](#) on page 87
- [Miscellaneous commands](#) on page 91

When you see the word "*ifnum*" (which stands for "interface number") in any of these commands, you should substitute a "1" for the RJ45 (10/100 UTP) "wired" interface.

Debug commands

The "**debug**" set of commands helps troubleshoot problems that may occur in the M307. Some of the output may be cryptic, but it helps when troubleshooting with Microplex Technical Support.

Table 5—Debug Command Options

Command Syntax	Description
<code>debug dhcp</code>	List DHCP parameters.
<code>debug eeprom</code>	List ROM contents.
<code>debug err</code>	List error listing.
<code>debug flash</code>	List Flash info.
<code>debug io</code>	List statistics from the I/O port module.
<code>debug ip</code>	List IP stack statistics.
<code>debug lpq</code>	List statistics from the queue module.
<code>debug mem</code>	List statistics from the M307's memory module.
<code>debug nif</code>	List network interface statistics.
<code>debug pcmcia</code>	List PCMCIA card info.
<code>debug task</code>	List task info.
<code>debug tcp</code>	List TCP stack statistics.

List commands

These commands list the *current* or *working* settings for a particular section within the command line interface shell. To view stored settings in Flash memory, you'll need to add "**stored**" to the beginning of any of the following commands. For example, "**list prn**" shows you the current PRN settings but "**list stored prn**" shows you the settings sitting in Flash. Normally these should match. You may also type "**list default**" to view the factory default settings.

Table 6—List Command Options

Command Syntax	Description
list all	List all current settings.
list arp	List the contents of the M307's ARP table.
list [default stored] dest	List the current destination settings (e.g., names and model used, state and service(s)).
list diff	List the differences between the current settings and the stored settings in Flash. Normally, you want these values to match, so issue a " save " command followed by a " reset ".
list [default stored] ifc	Display the module's physical network interface properties such as its interface number and Ethernet address. <ul style="list-style-type: none"> ifnum <i>interface number</i> is always 1 for the Ethernet UTP interface addr <i>address</i> is the MAC or Ethernet address associated with the interface type <i>type</i> is UTP or Unshielded Twisted Pair link <i>link</i> is one of auto, 10half, 10full, 100half, or 100full options <i>options</i> are li for link integrity, rx for increased received buffer, and up
list [default stored] key	List the license details and license key number.
list logins	List any active user logins on the M307.
list [default stored] lpd	List the lpd byte counting status on the M307.
list [default stored] syslog	List the current syslog settings (e.g., events and mapped destinations).
list [default stored] model	List the current model settings (e.g., names and mapped destinations).

Table 6—List Command Options

Command Syntax	Description
<code>list [default stored] prn</code>	List the current parallel port settings (e.g., mode).
<code>list [default stored] pserver</code>	List Print Server configuration.
<code>list [default stored] snmp</code>	List SNMP configuration.
<code>list [default stored] sysinfo</code>	List the current M307 system information (e.g., contact name and protocol stacks enabled).
<code>list [default stored] tcpip</code>	List all current TCP/IP network settings (e.g., IP address and subnet mask).
<code>list [default stored] test</code>	List the status of output tests on the I/O port.
<code>list uptime</code>	List the current time on the M307.
<code>list [default stored] user</code>	List the current user definitions (e.g., user names and types).
<code>list [default stored] var</code>	List all predefined variables including any newly created ones. Any of these defined variables can be referenced in a string by placing a "\$" before the variable name (e.g., " <code>set model m1 trailer \$FF</code> ").
<code>list uptime</code>	List the time the unit has been powered up since the last power cycle. (e.g., "Uptime: 12 days, 22:50:23").

Set commands

These commands alter the current or working settings in memory only. They will be lost if the M307 is turned off and on. To ensure this does not happen, be sure to issue a "save" command so the current settings get written to Flash.

Table 7—Set Command Options

Command Syntax	Description
<code>set dest destination backchannel [prn]</code>	<p>Enables/disables IEEE 1284 nibble mode over parallel port.</p> <p>For example, to turn the backchannel on:</p> <pre>set dest d1prn backchannel prn</pre> <p>To turn it off:</p> <pre>set dest d1prn backchannel</pre>

Table 7—Set Command Options

Command Syntax	Description
<code>set dest destination name newname</code>	<p>Change the current name of the <i>destination</i> to a new name as indicated by <i>newname</i>. This <i>newname</i> must be 29 characters or less. These names are case sensitive.</p> <p>When you change a destination name, you may have to reconfigure the host to reflect the change.</p> <p>For example,</p> <pre>set dest d1prn name laser</pre>
<code>set dest destination model modelname</code>	<p>Associate a model with a destination. Jobs sent to the named <i>destination</i> are processed according to the options defined in the named model. See set model from default on page 79 to configure this model name.</p> <p>For example,</p> <pre>set dest d3prn model m3root</pre>
<code>set dest destination service [[-]socket] [[-]lpd] [[-]ftpd]</code>	<p>Set the <i>destination</i> to handle only certain print services. To add a service, specify the service name. To disable a service, use "-" before the name. The available services are:</p> <ul style="list-style-type: none"> socket direct socket printing via TCP/IP lpd LPR printing with TCP/IP including LPR clients on any platform ftpd printing using the File Transfer Protocol (FTP) via TCP/IP <p>For example, to disable ftp service, type</p> <pre>set dest d2prn service -ftp</pre>
<code>set dest from default</code>	Set all destination settings back to factory defaults.
<code>set dest from stored</code>	Set all current destination settings to the stored values in Flash.
<code>set lpd [[-]bytecount]</code>	<p>Turn off lpd bytecounting. Default is byte counting enabled.</p> <p>For example:</p> <pre>set lpd -bytecount</pre>
<code>set syslog from default</code>	Set all syslog settings back to factory defaults.

Table 7—Set Command Options

Command Syntax	Description
<code>set syslog from stored</code>	Set all current syslog settings to the stored values in Flash.
<code>set syslog events [[-]queued] [[-]started] [[-]ended] [[-]cancelled] [[-]error]</code>	<p>Set the syslog events to handle certain events. To add a event, specify the event name. To disable a event, use "-" before the name. The available events are:</p> <ul style="list-style-type: none"> queued job queue on print server started job started printing on printer ended job ended printing on printer cancelled job cancelled error error printing on printer <p>For example,</p> <pre>set syslog events queued</pre>
<code>set syslog dest port none socket syslog email</code>	<p>Determine where the log information should be sent for a print job. The choices are:</p> <ul style="list-style-type: none"> none no logging socket logging sent TCP socket 4010 email logging sent to email address. This address is set using the "set syslog email <i>emailname@hostname</i>" command. Optional "set syslog subject <i>string</i>" and "set syslog message <i>string</i>". syslog A central TCP/IP host running the SYSLOG daemon. This host is set using the "set syslog syslog <i>hostname</i>" command. <p>For example,</p> <pre>set syslog dest socket</pre>

Table 7—Set Command Options

Command Syntax	Description
<pre>set model <i>model</i> banner [ps text auto [after]]</pre>	<p>Determine whether a banner page should be added for print jobs passing through the <i>model</i>'s mapped destination/queue. ps will produce a PostScript banner page. text will produce a text banner page. auto will determine which type is needed depending on the type of print job data passing through. By default, banner pages are added to the front of the job. However, if after is set, the banner page will come at the end.</p> <p>Banner type and printer type must match.</p> <p>For example,</p> <pre>set model m4 banner text</pre>
<pre>set model from default</pre>	<p>Set all model settings back to factory defaults.</p>
<pre>set model from stored</pre>	<p>Set all current model settings to the stored values in Flash.</p>
<pre>set model <i>model</i> header <i>headerstring</i></pre>	<p>Set a header string to be sent to the printer ahead of any print jobs passing through this <i>model</i>. <i>headerstring</i> can consist of up to nine elements. An example element is a hexadecimal code (e.g., 0x04) or a predefined variable on the Print Server (e.g., \$PCL-RST for a printer reset). Use "list var" to see all available variables.</p> <p>For example,</p> <pre>set model m4 header \$PCL-RST</pre> <p>When inputting a "\$" or "&" and you're using RSHD to execute this command, you must place a "\" beforehand so the local shell interpreter does not parse it out.</p>
<pre>set model <i>model</i> name <i>newname</i></pre>	<p>Change the current name of the <i>model</i> to a new name as indicated by <i>newname</i>. This <i>newname</i> must be 29 characters or less; these names are case sensitive.</p> <p>For example,</p> <pre>set model m1 name landscape</pre>

Table 7—Set Command Options

Command Syntax	Description
<pre>set model <i>model</i> stty [[-]onlcr] [xtab tablength none][[-][jist-sjis sjis-jis sjis-tg1]]</pre>	<p>Control of job processing is also done by the <i>model</i>. The processing options are:</p> <ul style="list-style-type: none"> onlcr Carriage return insertion for Unix text jobs. Adds carriage returns to text jobs with solitary linefeeds. This will prevent stair-stepped output or output running off the right side of the page. <i>Use of onlcr may slow throughput performance on the M307.</i> xtab Tab expansion from 1 to 16 spaces. jis-sjis Conversion of JIS to Shift-JIS. sjis-jis Conversion of Shift-JIS to JIS. sjis-tg1 Conversion of Shift-JIS to TG1. <p>For example, <pre>set model m3 stty onlcr</pre></p>
<pre>set model <i>model</i> trailer trailerstring</pre>	<p>Set a trailer string to be sent to the printer at the end of any print jobs passing through this <i>model</i>. <i>trailerstring</i> can consist of up to nine elements. An example element is a hexadecimal code (e.g. 0x04) or a predefined variable on the print server (e.g. \$FF for a formfeed). Use "list var" to see all available variables.</p> <p>For example, <pre>set model m3 trailer \$FF</pre></p>

Table 7—Set Command Options

Command Syntax	Description
<pre>set model <i>model</i> type a2ps [<i>pageorientation</i> [<i>pagesize</i> <i>rows columns</i>]] [<i>cont</i>]</pre>	<p>Converts text or ASCII data that passes through the model to PostScript data before sending it to the attached PostScript printer. The a2ps default settings are portrait, letter, 60 rows, and 80 columns. These can be altered using these options:</p> <ul style="list-style-type: none"> pageorientation orientation of page (i.e., portrait or landscape) pagesize size of page (i.e., letter, legal, exec, or a4) rows number of rows in page columns number of columns per line cont continuously senses print job for data format. For example, if a PostScript banner page comes before an ASCII job, the M307 senses both parts of the job separately. This way, the banner page gets left alone but the ASCII data still gets converted to PostScript. <i>Use of this option will decrease output performance.</i> <p>For example,</p> <pre>set model type a2ps</pre>

Table 7—Set Command Options

Command Syntax	Description
<pre>set model <i>model</i> type pcl-ps [<i>PCLswitchstring</i> <i>PostScriptswitchstring</i>]</pre>	<p>Switch printer emulation modes (e.g. PCL or PostScript) depending on the type of data passing through the M307. To do this, the model prepends a header string telling the printer which mode to enter for the job. It then appends a string to switch the printer back at the end of the job. The default switch strings are compatible with HP III printers and higher. These can be changed by defining a new <i>PCLswitchstring</i> and a new <i>PostScriptswitchstring</i>.</p> <p>For example,</p> <pre>set model m4 type pcl-ps</pre> <p>Another example shows the model m3 switching printer modes between PCL and PostScript for an HPLJIIIse-compatible printer. The two variables defined represent a PCL switch string and a PostScript one.</p> <p>For example,</p> <pre>set model m3 type pcl-ps \$HP3-SWPCL \$HP#-SWPS</pre>
<pre>set model <i>model</i> type raw</pre>	<p>Set the model type to raw so that it does not process the data passing through it in any way (no sensing or conversion). In this mode there is no ASCII or PostScript processing and no switching strings appended to jobs.</p> <p>For example,</p> <pre>set model m2 type raw</pre>
<pre>set prn [-]autofd</pre>	<p>Assert or do not assert the AUTOFD line for carriage return insertion. This only affects printers that support this function, such as impact printers.</p> <p>For example,</p> <pre>set prn -autofd</pre>
<pre>set prn from default</pre>	<p>Set all parallel port settings back to factory defaults.</p>
<pre>set prn from stored</pre>	<p>Set all current parallel port settings to the stored values in Flash.</p>

Table 7—Set Command Options

Command Syntax	Description
<code>set prn flush</code>	Flush the data in the parallel port's input and output buffers. For example, <code>set prn flush</code>
<code>set prn mode slow cen fast</code>	Set the parallel port mode. The choices are: slow Slow mode. Used with older, slower printers. cen Centronics mode. Use with impact printers. fast Fast mode. Increased transfer rate. Use with newest laser printers. For example, <code>set prn mode cen</code>
<code>set prn [-]opost</code>	Allow or disallow output processing on the parallel port, such as carriage return insertion (onlcr), tabstops (xtab), or descrambling. With a dash "-", no processing of any sort is performed. For example, <code>set prn -opost</code>
<code>set prn [-]onlcr</code>	Enable or disable carriage return insertion on the parallel port. This may be needed for UNIX text jobs coming through with solitary linefeeds. This feature is almost always set at the model level rather than the I/O port level. For example, <code>set prn -onlcr</code>

Table 7—Set Command Options

Command Syntax	Description
<code>set prn timeout <i>minutes</i> none</code>	<p>Terminate the print job sent to the parallel port if it is not printed after the timeout period in <i>minutes</i> expires. The <i>minutes</i> value ranges from 0 to 255, with 0 indicating no timing out to take place. This is the default setting and should be fine for most print setups.</p> <p>For example,</p> <pre>set prn timeout none</pre> <p>Printer errors will cause the M307 to postpone printing until the printer is fixed regardless of whether the timeout feature is set or not.</p>
<code>set prn unlock</code>	<p>Release the access lock on the parallel port.</p> <p>Using <code>unlock</code> option when the port is active can cause output from two jobs to intermix.</p>
<code>set prn xtab <i>tablength</i> none</code>	<p>Set the tabstop width as indicated by <i>tablength</i>. The range is 1 to 16 spaces.</p> <p>For example,</p> <pre>set prn xtab none</pre>
<code>set sysinfo contact <i>contactname</i></code>	<p>Set a person or department to contact in case of Print Server trouble.</p> <p>For example,</p> <pre>set sysinfo contact Help_Desk_Ext_225</pre>
<code>set sysinfo dns <i>IPaddress</i></code>	<p>Set your DNS server's IP address so the M307 can resolve host names when used with its built-in Telnet and Ping clients.</p> <p>For example,</p> <pre>set sysinfo dns 192.168.1.254</pre>
<code>set sysinfo location <i>description</i></code>	<p>Set the physical location of the M307. This is for identification purposes and is not used in the operation of the Print Server in any way.</p> <p>For example,</p> <pre>set sysinfo location salesdept</pre>

Table 7—Set Command Options

Command Syntax	Description
<code>set sysinfo domain description</code>	Set the domain name of the M307. Used with DDNS. For example, <pre>set sysinfo domain microplex.com</pre>
<code>set sysinfo name newname</code>	Set a descriptive name defined by <i>newname</i> for the M307 for identification purposes. The default value is <code>mplx123456</code> . Where 123456 is the last 3 octets of the ethernet address of the M307. This is used with DDNS and DHCP. For example, <pre>set sysinfo name salesprinter</pre>
<code>set user add del username</code>	Add or remove a user on the M307 defined by <i>username</i> . Be careful not to delete the root user, however, or you will be unable to configure any further settings. For example, <pre>set user add eng</pre>
<code>set user passwd username password</code>	Assign a <i>password</i> to a defined user on the M307. This <i>password</i> must be less than eleven characters. If the new password is not entered, the user's old password will be cleared. For example, <pre>set user passwd eng mplex1</pre> If you forget the root password, you can use a TCP/IP host and RSHD to set the users back to factory defaults, or you can set the dipswitches to restore settings to factory defaults. See Resetting to Factory Defaults on page 95.
<code>set user type username root guest</code>	Assign root or guest privileges to a particular user defined by <i>username</i> . Guest permissions allow viewing of settings only, whereas root permissions allow complete control of the M307. For example, <pre>set user type eng root</pre>
<code>set user from default</code>	Set all user settings back to factory defaults.

Table 7—Set Command Options

Command Syntax	Description
<code>set user from stored</code>	Set all current user settings to the stored values in Flash.
<code>set var <i>variablename</i> <i>variablestring</i></code>	<p>Define a new variable to be used in header, trailer, or switch strings on the M307 and call it <i>variablename</i>. <i>variablestring</i> can be a space-separated list of words, hexadecimal numbers (e.g., 0x04), or references to other predefined variables. It's easiest to make up the <i>variablestring</i> with hexadecimal values as shown in the example, however. Most printer codes in hexadecimal format can be retrieved from the printer manual.</p> <p>One variable counts as one element within header and trailer strings.</p> <p>Defined variables are referenced in strings by placing a "\$" before the variable name (e.g., <code>set model m1 trailer \$FF</code>). When inputting a "\$" or a "&" and using RSHD to execute this command, you must place a "\" beforehand so that the local shell interpreter does not parse it out.</p> <p>For example,</p> <pre>set var LANDSCAPE 0x1b 0x26 0x6c 0x31 set var FINISH \$FF \$PCL-RST</pre>
<code>set var from default</code>	Set all variable settings back to factory defaults.
<code>set var from stored</code>	Set all current variable settings to the stored values in Flash.

Store commands

These commands change the settings stored in Flash (permanent memory) and do *not* affect the current or working settings in memory. A power cycle is needed before the stored settings become current.

Table 8—Store Command Options

Command Syntax	Description
<code>store ifc from default</code>	Set all network settings back to factory defaults.
<code>store ifc from current</code>	Store all current network settings to Flash so they are retained after a power cycle. This ensures all current settings match what is stored in Flash.
<code>store ifc ifnum mode</code> [auto 10half 10full 100half 100full]	Set the line speed for the interface <i>ifnum</i> . This is for Ethernet interfaces only.
<code>store ifc ifnum utp [-]li</code> [-]rx	Modify the physical UTP interface properties where li enables link integrity and rx enables the increased receive threshold. A "-" disables the feature. <i>ifnum</i> is 1 for the UTP interface. For example, <code>store ifc 1 utp li</code>
<code>store pserver from default</code>	Set all general Print Server settings back to factory defaults.
<code>store pserver from current</code>	Store all current general Print Server settings to Flash so they are retained after a power cycle. This ensures all current settings match what's stored in Flash.
<code>store pserver name newname</code>	Configure the M307's name, indicated by <i>newname</i> .
<code>store pserver opts</code> [[-]jobsecurity]	Only root users can cancel print jobs on the unit. Disabling jobsecurity allows all users to issue the cancel command.
<code>store pserver opts</code> [jobtimeout time]	An active job will wait <i>time</i> seconds for a response from the printer.
<code>store pserver opts</code> [[-]iobuffer]	Enable [or disable] buffering on the I/O port when the printer is in an offline state. When disabled, no new data will be buffered until the print returns to an online state.
<code>store pserver opts</code> [[-]multtcp]	Allow or disallow multiple TCP connections for printing. Disabling the option will force the M307 to only accept one connection per TCP port when printing.

Table 8—Store Command Options

Command Syntax	Description
<code>store pserver lpd [-]destldefault</code>	Configure the destination " d1prn " to receive LPR jobs that are directed to an unknown destination. A "-" disables the feature. For example, <pre>store pserver lpd destldefault</pre>
<code>store pserver tcpsocket tcpport port newtcpport</code>	Change the current <i>tcpport</i> to a new <i>newtcpport</i> . For example, <pre>store pserver tcpsocket 4400 port 9100</pre>
<code>store pserver tcpsocket tcpport dest dest</code>	Change the <i>dest</i> for the <i>tcpport</i> . <i>dest</i> is the logical destination. For example, <pre>store pserver tcpsocket 4400 dest d2prn</pre>
<code>store pserver tcpsocket add tcpport dest dest</code>	Add a new rawsocket <i>tcpport</i> for <i>dest</i> . For example, <pre>store pserver tcpsocket add 4401 dest d2prn</pre>
<code>store pserver tcpsocket del tcpport dest dest</code>	Delete a rawsocket <i>tcpport</i> for <i>dest</i> . For example, <pre>store pserver tcpsocket del 4401 dest d2prn</pre>
<code>store pserver testpage [off prn com]</code>	Print a test page on each reset of the M307.
<code>store tcpip ifnum addr IPaddress</code>	Store the IP address for the interface specified by <i>ifnum</i> . For example, <pre>store tcpip 1 addr 192.168.11.9</pre>
<code>store tcpip ifnum frametype [[-]ethernet2] [[-] 802.2snap]</code>	Control which frame type or types is supported with the TCP/IP protocol. By default, both Ethernet II and 802.2snap are enabled, but normal TCP/IP communications rely only on Ethernet II. For example, <pre>store tcpip 1 frametype ethernet2 802.2snap</pre>

Table 8—Store Command Options

Command Syntax	Description
<code>store tcpip from default</code>	Set all TCP/IP network settings back to factory defaults.
<code>store tcpip from current</code>	Store all current TCP/IP network settings to Flash so they are retained after a power cycle. This ensures all current settings match what's stored in Flash.
<code>store tcpip ifnum mask netmask</code>	Store the subnet mask for the M307. For example, <pre>store tcpip 1 mask 255.255.255.0</pre>
<code>store tcpip ifnum opts</code> <code>[[-]rarp] [[-]bootp]</code> <code>[[-]dhcp]</code>	Enable or disable the automatic RARP, BOOTP, or DHCP requests for IP addresses upon bootup. If you are storing the M307's TCP/IP network settings within the device, you will not need to rely on RARP, BOOTP, or DHCP for new settings. For example, <pre>store tcpip 1 opts -rarp -bootp</pre>
<code>store tcpip route add del</code> <code>default routerIPAddress ifnum</code>	Store a default router/gateway defined by <i>routerIPAddress</i> so the M307 knows where to direct packets destined for another subnet. It is easier to store one default entry rather than an entry per remote host or network as in the next command. For example, <pre>store tcpip route add default 192.168.11.1 1</pre>
<code>store tcpip route add</code> <code>[host net]</code> <code>networkIPAddress[/mask]</code> <code>routerIPAddress ifnum</code> <code>[metric]</code>	Add a static route to a particular TCP/IP host or subnet specified by <i>networkIPAddress</i> so the M307 knows how to communicate with it. Normally one entry for a default router/gateway is all that is needed for communications between different subnets. Please see the previous command for details. For example, <pre>store tcpip route add 204.195.175.50/24 192.168.12.0 1</pre>

Table 8—Store Command Options

Command Syntax	Description
<code>store tcpip route del [host net] networkIPaddress</code>	<p>Remove a static route to a particular TCP/IP host or subnet specified by <i>networkIPaddress</i> so the M307 will not communicate with it.</p> <p>For example,</p> <pre>store tcpip route del net 192.168.12.9</pre>
<code>store tcpip tcp access [root] add del IPaddress</code>	<p>Add or remove an entry from the M307's TCP access list defined by <i>IPaddress</i>. If the list has an entry, only this host can print to and remotely interact with the Print Server.</p> <p>For example,</p> <pre>store tcpip tcp access add 192.168.11.25</pre>
<code>store tcpip tcp opts [-]keepalive [-]disbufmgmt</code>	<p>Control whether the M307 maintains a connection with a host when data cannot be accepted into its buffer. Normally the keepalive feature is enabled so when the printer cannot accept data, the print job connection is maintained and continues with once the situation clears. If disbufmgmt is disabled (i.e., "-"), the M307 will not buffer any data when there's a blocked situation with the printer. Normally it's best to have both keepalive and disbufmgmt enabled.</p> <p>For example,</p> <pre>store tcpip tcp opts keepalive disbufmgmt</pre>
<code>store tcpip tcp rxwin packets</code>	<p>Determine the receive window size for the M307. Usually the <i>packets</i> value ranges from 2-8, with the lower number allowing for more simultaneous TCP connections with the Print Server.</p> <p>For example,</p> <pre>store tcpip tcp rxwin 2</pre>

Miscellaneous commands

These commands do not fall under any specific section of the command line interface shell but they are used quite frequently.

Table 9—Miscellaneous Commands

Command Syntax	Description
cancel <i>jobID</i>	Remove a job from an I/O port's queue. Use "lpstat" to find a particular job's ID first. For example, cancel dlprnl-10
chr <i>string</i>	Used with redirection, the chr command sends output control codes to the printer. Arguments must be separated by spaces. Arguments can be a combination of words, any printable character or the common set of \$BS, \$STAB, \$ESC, \$DEL, \$EOF, \$NULL, \$FF, \$LF, or 0xhh (hexadecimal code for any character). You will echo <i>string</i> or redirect <i>string</i> to the I/O port. For example, chr string > ioport
close tcp <i>TCPindexnumber</i>	Force a TCP/IP connection between a TCP/IP host and the M307 to close. The <i>TCPindexnumber</i> can be retrieved from "debug tcp" output. For example, close tcp 3
disable <i>ioport destination</i>	Disable the <i>I/O port</i> so queued jobs are not printed or disable a <i>destination</i> so jobs cannot be queued to it. The I/O port is always prn. For example, disable prn
enable <i>ioport destination</i>	Enable an <i>I/O port</i> so queued jobs are printed or enable a <i>destination</i> so jobs can be queued to it. The I/O port is always prn. For example, enable prn
keycode	Determine the hexadecimal value for a key to be used as the escape character with the M307's built-in telnet command.

Table 9—Miscellaneous Commands

Command Syntax	Description
<code>load [default]</code>	Load the settings stored in Flash and use them as the current or working settings. If default is specified as well, factory settings will be loaded. Use this after power failure to restore settings saved in Flash.
<code>lpstat</code>	Display active and queued jobs and I/O port status. For example, <code>lpstat</code>
<code>ping [-s] <i>hostIPaddress</i> [datasize [packetnumber]]</code>	ping another TCP/IP host, specified by <i>hostIPaddress</i> , on the network. <i>datasize</i> is the datagram packet size, which defaults to 64 bytes if no size is included in the syntax, and <i>packetnumber</i> is the number of requests to be sent. To use a host or IP name instead of the address, you must have set the DNS server on the M307. Use the command " set sysinfo dns... " to do this. For example, <code>ping 192.168.11.30</code>
<code>reset</code>	Perform a warm boot or hardware reset simulating a power-on reset. This will restore current settings to those stored in Flash as the Flash settings will be read and loaded into memory upon bootup.
<code>save [default]</code>	Save the current settings to Flash so they are remembered after power cycles. Sysinfo, destination, model, syslog, variable, user, and I/O port settings will be saved. If default is specified as well, factory settings will be saved to Flash, overwriting any new settings you have configured. Resetting the unit is not required.

Table 9—Miscellaneous Commands

Command Syntax	Description
<code>start fox tts loopb prn</code>	<p>Begin a debugging test on the I/O port of the M307. These tests confirm that the parallel port on the M307 is communicating properly with connected devices. Three types of tests can be done:</p> <p>fox A continuous stream of text sent to the attached printer. This is a good test for troubleshooting hardware as long as the attached printer supports text output.</p> <p>tts A continuous stream of Gandalf 400C TTS-compatible text sent to the attached printer.</p> <p>loopb Loopback test. Any input characters from the device attached to the I/O port is echoed back.</p> <p>For example, <code>start fox prn</code></p>
<code>stop all prn</code>	<p>Stop an output test on the I/O port.</p>
<code>telnet IPaddress [escapecharacter]</code>	<p>Start a Telnet session with another TCP/IP host specified by <i>hostIPaddress</i> on the network. If <i>escapecharacter</i> is used, it resets the key sequence used to exit the Telnet session. It will return you to the <code>telnet></code> prompt where you can execute "<code>quit</code>" or "?" to print the help information. Use the "<code>keycode</code>" command to find out exact escape characters if needed. The default character is CTRL-].</p> <p>To use a host or IP name instead of the address, you must have set the DNS server on the M307. Use the command "<code>set sysinfo dns...</code>" to do this.</p> <p>For example, <code>telnet 192.168.11.35</code></p>

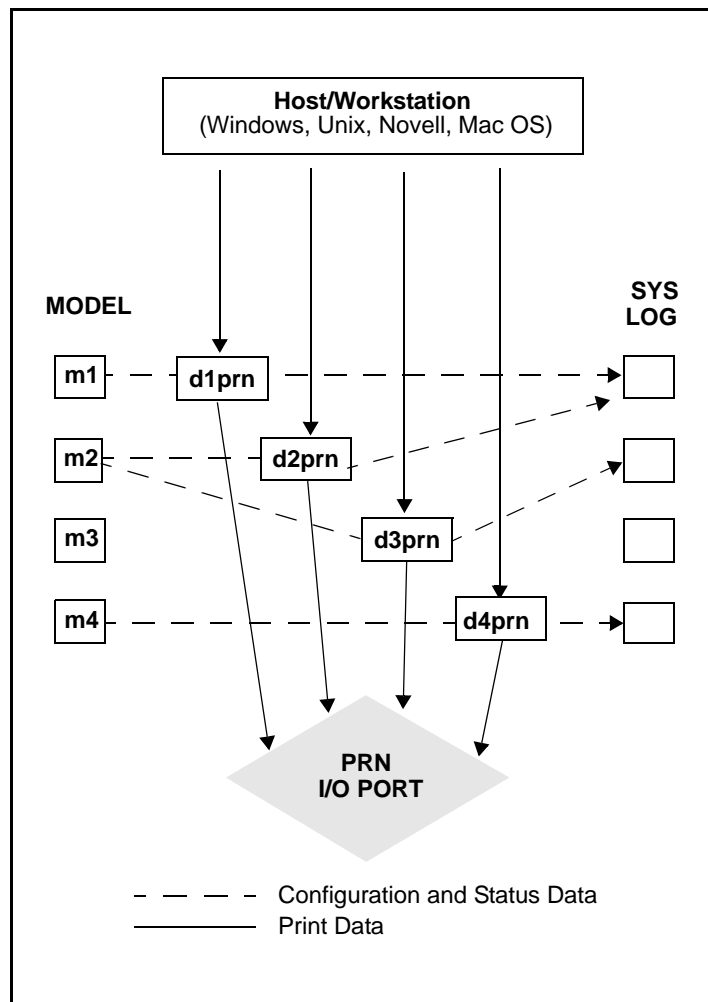
M307 Naming Scheme

The M307 always follows this naming scheme:

M307xxxxx A default name of M307 is followed by "xxxxx", the last 3 octets of the ethernet number found on the bottom of the Print Server.
For example, M3070d0901

Refer to [Figure 25](#) for an illustration of the default names.

Figure 25—M307 Default Names



User Accounts and Permissions

When you log in to the M307, you either log in as a **guest** or as a **root** user. The commands you will be able to utilize on the Print Server depend on which login name you use. By default, there is one **root** user and one **guest** user; users can then be added to this with either permission level.

Users with **root** permission can execute all commands; users with **guest** permission can not do any configuration and can only execute commands that display settings on the M307. However, they can use **ping** and **telnet** as well.

Use [list \[default/stored\] user](#) on page 76 to look at current user definitions. Use [set user add/del username](#) on page 85 to see how the **root** user can change these settings.

Resetting to Factory Defaults

Sometimes it is beneficial to return the M307 to its factory default state. For example, if you are having problems communicating with the Print Server over the network, you may want to put it back to a default state and reconfigure the network settings.

To reset to factory defaults:

1. Move dipswitch 1 to the "**off**" position and dipswitch 2 to the "**on**" position as described in [Table 3, M307 Dipswitch Settings](#), on page 16. This is the Factory Settings mode.
2. Restart the unit by turning the power off then on.

You now have the M307 booted into a default state, meaning its current/working settings are those stored at the factory. All settings configured and stored in Flash are ignored while the dipswitches are in the "Factory Settings" position.

At this point, you can use **nps** commands on the M307 to configure certain settings. Here are some common examples of steps taken when the device is in a default state:

1. Forgotten password

If you have forgotten a password set on the M307, you can reset the user settings using these commands:

```
set user from default
save
```

2. Restore all settings in Flash to defaults

Since this default state is temporary and you may want to make sure *all* settings sitting in Flash are back to their factory default values, you will need to use these commands:

11. Reference Information

Performing Firmware Upgrades

```
save default
store tcpip from default
```

or set dipswitch 1=on and 2=off. See [Table 3, M307 Dipswitch Settings](#), on page 16.

3. Set dipswitches for normal operation

Set dipswitch 1=off and 2=off. See [Table 3, M307 Dipswitch Settings](#), on page 16.

Performing Firmware Upgrades

Since the M307's firmware is stored in Flash ROM, upgrading is easy. Using the File Transfer Protocol (FTP) on a TCP/IP network, the Print Server can be upgraded to a newer firmware version without needing new hardware.

Upgrade files

There are two files involved in the upgrade process. One is the Print Server binary (the new firmware) and the other is the upgrade instructions document, which provides detailed steps for completing the upgrade.

These files are always available at Microplex's FTP site ("[ftp.microplex.com](ftp://ftp.microplex.com)") and Web site ("<http://www.microplex.com>"), or they can be ordered through Microplex Technical Support. Please see [Help Methods Available](#) on page 128 for further information.

12 EXTRA FEATURES/ADDITIONAL INFORMATION

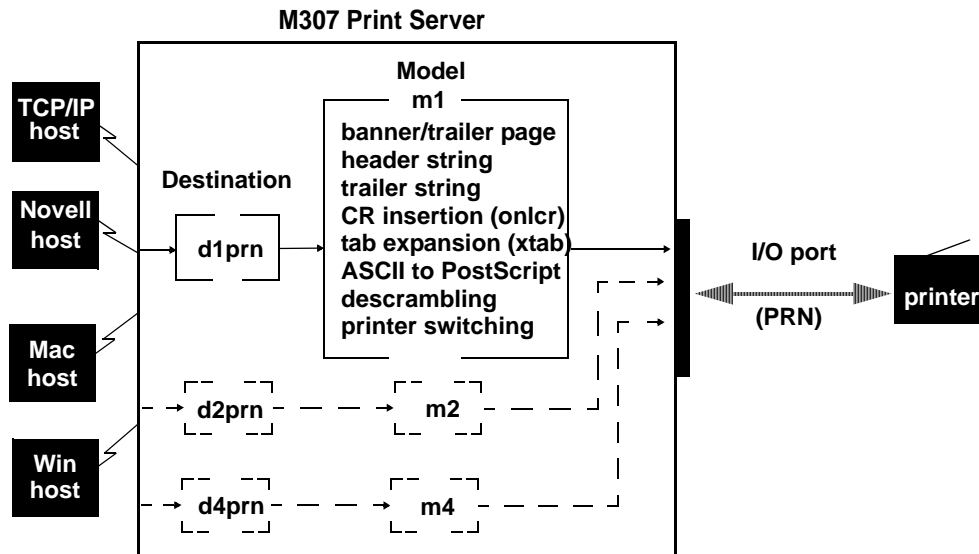
This chapter provides information about additional features available with the M307.

- [Print Server Architecture](#) on page 97
- [General Options](#) on page 101: miscellaneous Print Server options
- [M307 Security](#) on page 102: how to use the M307's built-in security features as well as taking advantage of your Network's security features
- [Printer Monitoring and Logging](#) on page 105
- [Managing with SNMP](#) on page 113, including creating custom MIBs
- [Troubleshooting Tips](#) on page 117

Print Server Architecture

When you send a print job to the Print Server, the job goes first to a *destination* before going to an I/O port. A destination is the *logical* place on the Print Server where print jobs are sent. Each destination has an *I/O port* and a *model* associated with it (see below). The I/O port is the parallel port called *prn*. The purpose of *destinations* is to allow you to configure a number of different print setups on the Print Server.

Figure 26—Print Server Operating Logic



This example follows a print job sent to destination *d1prn*. *d1prn* is associated with model *m1* and the I/O port *prn*.

When the data is passed through the associated model, any job processing specified by the model is performed on the data.

If no additional processing is specified, the data is passed through to the I/O port untouched.

Destinations

The M307 provides four printer destinations that are used by all hosts. Destinations map a name of up to nine characters to the I/O port **prn**. The I/O port has four destinations mapped to it. The **default destination** names are: *d1prn*, *d2prn*, *d3prn* and *d4prn*. The user may change the destination names to something more meaningful.

Each destination uses one of the defined models for processing. The destination list is limited to a maximum of four entries and is configured through the **npsh** interface on the Print Server. Default destination names can also be changed to something more meaningful.

Destination definitions include: name, I/O port, model used, state, and service(s) supported.

See also: [Manipulating the M307's services](#) on page 102, [list dest](#) (Table 6 on page 75), and [set dest](#) (Table 7 on page 76).

Models

Each destination on the M307 also has a *model* associated with it. The four models (one per destination) can be thought of as a series of mini-filters that can do special processing with the print job data. For example, a model can be set up to do such things as ASCII to PostScript conversion (**a2ps**) or carriage return insertion (**onlcr**).

These processing options include:

- banner page generation,
- header string insertion,
- trailer string insertion,
- tab expansion (**xtab**),
- carriage return insertion (**onlcr**),
- ASCII to PostScript conversion (**a2ps**),
- print job descrambling.

The default model names are *m1* to *m4*, and each comes mapped to a particular destination. By default, the model settings are **raw**, that is, they simply pass data through to the I/O port untouched. This provides a clean slate to begin your configuration. Model names can be changed to something more meaningful. Models only need to be reconfigured when you want to do special processing to all the print jobs that are sent to a particular destination.

Note: Throughput may decrease if **onlcr** or **a2ps** is enabled.

Each **model definition** includes: name, type, and some of these processing parameters, if any.

See also: [Setting up special job processing](#) on page 101, [list model](#) (Table 6 on page 75), and [set model](#) (Table 7 on page 76).

Table 10—Model Types

Setting	Inclusions
raw	No content sensing. Jobs are assumed to match the printer type, or else the printer does the autosensing and switching.
pcl-ps	For printers that <i>cannot</i> autosense the print job format and switch modes by themselves. Precedes each job with a string to switch from PostScript to PCL, or vice versa, depending on job content. These strings must be specified in the setup command.
a2ps	Convert ASCII jobs to PostScript or pass PostScript jobs directly to PostScript printers.

Variables

Variables are actually utilized within the M307's *models* and are useful for defining lengthy header or trailer strings. This might be necessary for certain printer switch strings, for example. Each variable consists of a combination of escape codes and text for the printer control.

Variables are used to make efficient use of the limited space in header and trailer strings. Only nine elements can be included in the strings. Each element can be one of the following:

letter	a
code	0x40
variable	\$FF

Therefore, you could make up a series of variables and specify each of these (up to nine) in the header or trailer string. Each variable could then contain up to 14 elements of its own.

Commands are described in detail in *Complete Command Reference* on page 73. See: *list var* and *list model* (Table 6 on page 75), *set var* and *set model* (Table 7 on page 76).

syslogs

The term *syslog* comes from the UNIX **syslog** logging system. With the M307, each destination can report on job status and printer errors.

Logging occurs through a Telnet session on TCP port, 4010 or it can also be configured to report statistics via email to a particular user. In addition, messages can be logged to SYSLOGD on a particular TCP/IP host.

syslog definitions include: log port and event type.

See also: *Controlling the frame types used by the M307* on page 102, *list syslog* (Table 6 on page 75), and *set syslog* (Table 7 on page 76).

I/O Port

The M307 comes with one IEEE 1284-I compliant four-speed parallel port that attaches directly to the parallel port of the printer. The I/O port has an internal queuing mechanism that automatically queues print jobs on a first-come, first-served basis even if the print jobs come from different network environments (e.g., Novell and TCP/IP).

The port has several parameters that can be manipulated to best suit your attached peripherals. These parameters are configured using the **set** commands, while **list** commands display the port's settings.

- to learn more about the I/O port's parameters, see *Parallel port (PRN) pinouts* on page 121

12. Extra Features/Additional Information

General Options

- to view current I/O port settings, see the *list prn* command on [page 76](#)
- to change the I/O port settings, see the *set prn* command on [page 82](#)

General Options

Manipulating the M307's UTP interface

If using UTP on your network, you have some control over the UTP interface and its properties on the M307.

By default, link integrity is turned on, but this can be turned off.

You can increase the sensitivity of the 10Base-T receiver for implementations where line lengths exceed the recommended 10Base-T maximum of 100 meters. However, this increases the receiver's vulnerability to noise and should only be used in installations with 2-pair cable. Factory default for this setting is *off*.

To see the current UTP interface settings for a particular network interface, please see *list ifc* in [Table 6](#) on page 75. To manipulate the UTP interface, please see *store ifc* in [Table 8](#) on page 87.

Setting up special job processing

Printing with the M307 adds many extra job processing options to your current print setup. No matter the environment, you now have the choice of several helpful features including:

- ASCII to PostScript conversion (**a2ps**)
- carriage return insertion (**onlcr**)
- tab expansion (**xtab**)
- banner page generation
- printer mode switching and general printer manipulation

These are just some of the many features provided, and each of these may be set on a Unix host within an interface file, named either **nprbsd.if** or **nprsysv.if**, or on the Print Server itself.

You are automatically given the choice between four different **destinations** on the M307, allowing for four different print setups; each of these print setups is defined by the extra processing specified by its associated **model**. The model defines most of these extra processing options.

To make use of these special job processing features, please read the appropriate host configuration section or the full list of extra job processing options documented in [Set commands](#) on page 76.

Manipulating the M307's services

The M307 provides many different functions; however, the more features it has, the more memory it requires. Therefore, it is possible to control the number of features enabled.

For example, you can disable the destination services. Not every destination on the M307 needs to have the same functionality. Please see [Set commands](#) on page 76.

Controlling the frame types used by the M307

Various frame types can be used by the M307 at any given time.

TCP/IP offers this configuration. Please see [Store commands](#) on page 87 to find out how to change frame types.

Remotely managing the M307

In a TCP/IP environment, various methods are available for remotely monitoring the Print Server. These include using:

- the built-in **HTML** forms
- a **Telnet** session
- **SNMP** management

M307 Security

This touches upon the most popular built-in security feature - permission levels and passwords. Setting passwords and assigning a permission level to users makes it difficult for unauthorized users to gain access to the M307's command set and manipulate the settings.

However, the Print Server also uses TCP access lists to restrict host connections with the device and allows scrambling/descrambling of print jobs.

Users and Passwords

The M307 supports two user types:

- root** Access to everything within the Print Server including all configurable settings.
- guest** Ability to list settings but not configure them.

For each user type, passwords can be set. However, you would normally only set a password for the root user to protect the M307's configuration. Guest users cannot alter the Print Server's configuration in any way.

To configure a root password on your M307:

HTML Method

1. Load a Web browser on a network station that can communicate with the Print Server over TCP/IP.
2. Direct your Web browser to the URL
`http://M307IPaddress/adminConf.html`
(e.g., **`http://192.168.11.9/adminConf.html`**).
- Note:** If prompted for a "User ID" and password first, type in "root" for the ID and press ENTER at the password prompt as there is no password by default.
3. At the "Administration Configuration" HTML form, scroll down to the "Passwords" section.
4. Click in the "Old" field beside the "Root Password" heading and enter the existing root password. By default, there is no root password and this step can be skipped.
5. In the "Root Password" section, click in the "New" field and enter the new root password.
6. In the "Root Password" section, click in the "Confirm" field and enter the new root password again. Remember, the password is case sensitive.
7. Click on the "Submit" button when done.
8. Go to the Restart page and click on "Restart" to apply the new settings to your system.

Manual (Telnet) Method

1. Start a Telnet session with the M307. Type:
`telnet M307IPaddress`
2. Log in to the M307 through an **npsh** session as a root user.
- Note:** If prompted for a "User ID" and password first, type in "root" for the ID and press ENTER at the password prompt since there's no password by default.

3. At the **npsh** prompt, follow this syntax:

```
set user passwd username password
```

For example, to set the root password to "mplex1" type:

```
set user passwd root mplex1
```

```
save
```

From this point on, anytime you log in to the M307 as "**root**", you will need to specify this password or else your login attempt will fail.

Note: This process can be repeated to clear or change the password. An alternate method to clear the password has the following syntax:

```
set user from default  
save
```

TCP access lists

Within TCP/IP environments, the M307 can restrict host access to destinations/queues and remote command (i.e., telnet) execution services. This is done using an access list similar in function to the Unix `.rhosts` file.

To view the current access list on the Print Server:

1. Start a Telnet session with the M307.

```
telnet M307IPAddress
```

2. Log in as "**root**". By default there is no password and you can therefore simply press ENTER when prompted for a password. If you have set a password, type it in and press ENTER.
3. List the current access list.

```
list tcpip
```

Note: Access list settings are not configurable through the HTML forms provided with the M307.

If the list is empty, all hosts have access to the M307's services. If there are entries in the list, only those hosts specified have access to printing and remote command execution.

Note: Only users that have **root** permission can configure the remote access entries. Users with **guest** permission may only display them.

The following syntax is used to add and delete access list entries:

```
store tcpip tcp access add|del  
hostIPAddress|networkaddress  
reset
```

where *hostIPAddress* is the IP address of a TCP/IP host on your network and *networkaddress* is the address of a subnet on your network. For example:

```
store tcpip tcp access add 192.168.11.25  
store tcpip tcp access add 192.168.12.0  
store tcpip tcp access del 192.168.11.25
```


reset

Note: Although the maximum number of entries in the access list is 10, each entry can refer to a network rather than a specific host. This allows all hosts on that specified network to have access plus any individual hosts specified in the list.

SNMP security

SNMP does not include any formal type of security definition. However, security can be accomplished using *communities*. A *community* is a string that is sent with every SNMP request and is used to define a certain view of the MIB. By doing this, you can control what parts of the MIB are accessed by an SNMP manager.

To access the M307's custom MIB, the public *community* string can be used to read any variables that have access. To restrict **write** access, there is an additional security step, involving defining a user named **snmp** on the M307 with **root** privileges. The password defined for this **snmp** user will then be used as the *community* string, which allows **write** access.

Note: If no **snmp** user is defined with **root** privileges, no **write** requests will be accepted by the M307.

Printer Monitoring and Logging

One of the key aspects of maintaining a computing environment is monitoring printer status and logging this information to useful places. The destination of this information is controlled through syslogs. In addition, the M307's **lpstat** command provides parallel port printer status and job information as a user sends a job.

Printer and print job monitoring

To view the current status of the I/O port on the M307, two methods are available:

1. Selecting the desired I/O port on the "Status" HTML form located at the URL **`http://M307IPaddress/indexStatus.html`** (e.g., **`http://192.168.11.9/indexStatus.html`**).
2. Typing the "**lpstat**" command directly on the Print Server once logged in as "**guest**" or "**root**" in a Telnet session or through **rshd**.

Table 11 describes some of the common terms you may come across when viewing this status.

Table 11—Key Printer Logging Terms

Term	Description
"idle"	There is no job queued for the M307's I/O port.

Table 11—Key Printer Logging Terms

Term	Description
" blocked "	The printer is not allowing the M307 to send data to it. Check that there is no printer error, the printer is online, and it is ready to go.
" waiting "	The M307 knows about a print job but is waiting for the host to send more data or an expected packet.

Printer logging through syslogs

In this manual, destinations are described as logical queues with associated models and syslogs. Models determine whether any extra processing is needed with the print jobs passing through and syslogs determine what logging is needed for each job. With the M307, destinations can report statistics when a job is sent to a printer.

Logging can occur through a printer connected to a Telnet session, email to a particular user, or to SYSLOGD that runs on a remote host.

Syslog on the M307 consists of two parts:

- Events** The type of log information to be captured. The choices are "**queued**" for job queued, "**started**" for job start of job, "**ended**" for end of a job, "**cancelled**" for a cancelled job, "**error**" for an error condition.
- Port** Where this log information will be sent. The choices are a **TCP port number** (4010), an **email address**, or a central host running a **SYSLOG daemon**.

To view the current syslog settings on the Print Server:

HTML Method

1. Load a Web browser on a network station that can communicate with the Print Server over TCP/IP.
2. Direct your Web browser to the URL
`http://M307IPaddress/config?syslogConf.html`
(e.g., **`http://192.168.1.10/config?syslogConf.html`**).

Note: If prompted for a "User ID" and password first, type in "**root**" for the ID and press ENTER at the password prompt since there's no password by default.

3. Once the desired destination's HTML form displays, scroll down to the "Log Events" and "Log Paths" sections to view the current syslog settings for this particular destination.
4. Click on the "Submit" button when done.
5. Go to the Restart page and click on "Restart" to apply the new settings to your system.

12. Extra Features/Additional Information

Using FTP Daemon to Access the M307

Manual (Telnet) Method

1. Start a Telnet session with the M307.
2. Log in as "**root**" and either type the password or press ENTER at the password prompt since there is no password by default.
3. The command to view the syslog settings is:

```
list syslog
```

At this point, you can alter any of these settings by using the **set syslog** commands. For further information, refer to [set syslog from default](#) on page 77.

Using FTP Daemon to Access the M307

The FTP Daemon provides an additional method to access the M307. Using the FTP Daemon, users are able to submit print jobs, cancel print jobs, monitor the print queue, and upload/download M307 configuration files.

For the purposes of FTP, a pseudo file system has been defined on the M307 to allow access to the unit's functions. Three types of users can access this file system: **root**, **guest**, and **anonymous**. **Root** and **guest** correspond to the entries in the M307's user list; **anonymous** is a special type that does not require a password. For each directory or file within this file system, there are access restrictions according to the type of user logged in.

M307 FTP file system

The M307 FTP file system is where you execute all **ftp** commands on the unit. Please see the examples on the following pages for a complete description of the commands and how they are executed.

The following is the structure of the file system you will see when you **ftp** to the unit:

/queue

Contains one file with information pertaining to the print queue associated with the M307's parallel port. This file allows you to view the current status of the queue.

/dest

Contains four subdirectories, one for each of the four print destinations on the M307. Please see [Figure 1](#) on page 11 for a graphic representation to better understand destinations and printing. Files **put** in these directories are printed on the associated print destination.

/jobs

Contains files representing all the print jobs currently queued. Issuing the **del** command on a file in this directory will cancel the job.

/config

Contains three subdirectories: **current**, **stored**, and **default**. Each file in these subdirectories represents one data structure of the M307. The files in the **current** directory reflect the current configuration, files in the **stored** directory reflect the stored configuration, and files in the **default** directory reflect the default configuration. These files are in binary format.

/exec

This directory is used to perform command interpretation. The contents of files **put** in this directory will be interpreted as a series of **npsh** commands.

Printing a file using FTP

The following example shows how to print a file using FTP:

1. Change to the local directory where the file to print resides.
2. Login to the M307 using **ftp**.

```
ftp ipname
```

3. Login as **guest**, **root**, or **anonymous**.

Note: **Guest** and **root** users require the use of passwords as configured in the unit's user list. **Anonymous** is a special login that does not require a password.

4. Change to the **/dest** directory that you want to print to.

```
cd dest
```

5. List the contents of this directory using the "**dir**" command and determine which destination/queue you'd like to send the print job through. Most likely you will select "**d1prn**" for the PRN port.

6. Change to this destination directory. For example,

```
cd d1prn
```

7. Change the mode to correspond to the type of file to be printed. Choose binary mode if the file to be printed contains both text and graphics and ASCII mode if the file is text only. The default mode is always ASCII.

```
bin
```

8. Copy the file you want to print to this directory.

```
put filename
```

The file is spooled and printed.

9. Logout of the FTP session.

```
quit
```

Removing a print job using FTP

The following example shows how to remove a print job using FTP:

12. Extra Features/Additional Information
Using FTP Daemon to Access the M307

1. Login to the M307 using **ftp**.

ftp ipname

2. Login as **guest**, **root**, or **anonymous**.

3. Change to the **/jobs** directory.

cd jobs

4. Display a list of all currently queued print jobs.

ls

The currently queued print jobs are listed by their ID number.

5. Remove desired print job from the list.

del jobname

6. Logout of the FTP session.

quit

Monitoring a print queue using FTP

The following example shows how to monitor a print queue using FTP:

1. Login to the M307 using **ftp**.

ftp ipname

2. Login as **guest**, **root**, or **anonymous**.

3. Change to the **/queue** directory.

cd queue

4. Turn interactive mode off.

prompt

This enables you to copy a number of files without having to respond to prompts by the M307.

5. Download the file in the print queue directory.

mget *

The file **prn** is downloaded to the user's local directory.

6. Logout of the FTP session.

quit

7. View file with information pertaining to print queue status.

cat prn

Note: This command gives you the same information as a **lpstat** in **npsh**. **cat** is a UNIX command; with DOS, use the **type** command.

Configuring M307 parameters using FTP

Users have two ways to configure the M307's parameters using FTPD. The first is by uploading binary files to the **/config** directory and the second is by uploading text configuration files to the **/exec** directory. We discuss each method and give appropriate examples below.

Example 1: /config directory

The **/config** directory is divided into three subdirectories: **current**, **stored**, and **default**. Each of the files in these subdirectories represents one data structure regarding the configuration of the unit. These files can be used to make a backup copy of the unit's configuration parameters or to copy configuration parameters from one unit to another.

Note: The configuration files are in binary form and their format may differ between firmware versions; a configuration file that was downloaded from a previous version may not work with the current version.

Copying a configuration using FTP. The following procedure shows how to copy a configuration file using FTP:

1. Login to the M307 using **ftp**.

```
ftp ipname
```

2. Login as **root**.

You must be a **root** user in order to copy a configuration file.

3. Change to the **config/stored** directory.

```
cd config/stored
```

4. Set mode to binary.

```
bin
```

5. Turn off the interactive mode.

```
prompt
```

6. Download all the files in this directory.

```
mget *
```

This will download a copy of all files in the **config/stored** directory to the current local directory of the host that the **ftp** command was issued from.

7. Logout of the FTP session.

```
quit
```

Now you have a copy of the M307's stored configuration parameters. These files can be saved for archival purposes, used to reconfigure the unit to a previous setting, or used to set a number of units to the same configuration.

Note: It is only necessary to save the files from the **stored directory**. Files from the default and current directory are not required in order to restore a unit's configuration.

Restoring a configuration using FTP. FTP can be used to restore a configuration saved from the unit or restore a configuration saved from another unit.

Note: If you are restoring a configuration saved from another unit, the unit's firmware must be the same version as the unit receiving the configuration.

1. Change to the local directory on the host where the saved configuration files reside.
2. Login to the M307 using **ftp**.

```
ftp ipname
```

3. Login as **root**.

Note: You must be a **root** user in order to FTP files to the **/config** directory.

4. Change to the **config/stored** directory.

```
cd config/stored
```

5. Set mode to binary. Configuration files are always in binary form.

```
bin
```

6. Turn off the interactive mode.

```
prompt
```

7. Upload all the files from the user's local directory.

```
mput *
```

This copies all files from the local directory to the **config/stored** directory.

8. Logout of the FTP session.

```
quit
```

Note: It will be necessary to **reset** the M307 for the changes to take effect.

Example 2:
/exec directory

Using the **/exec** directory, users can upload a text file that includes a number of configuration commands. When this file is placed in the **/exec** directory, the commands contained in it are executed as if they were commands entered sequentially from a Telnet session using **npsh**. This feature enables the user to create a single text configuration file that can be used to quickly and easily configure a number of M307s.

Note: The command syntax for the text configuration file is exactly the same as if you were entering individual commands with **npsh** through a Telnet session. See [M307 Command Line Interface Shell \(npsh\)](#) on page 70 for details regarding the commands and their syntax.

The configuration file can be seen as simply a user-defined script that includes a number of configuration commands to be executed. Comments describing the configuration can also be included in this file, provided they follow the correct syntax.

The following is an example of a simple configuration file:

12. Extra Features/Additional Information

Using FTP Daemon to Access the M307

```
; These are comments for the example config file.
; Note that comments have to start at the beginning
; of a line and be preceded by an ';'
;
version 1.0
; If this command is found and the current version
; does not correspond to the command parameter, the
; file execution will abort.
;
redirect prn
load default
set dest d1prn name newest
set dest d2prn name another
set model m1 name newmod
set prn slowmode
save
```

Notes: The above example includes a line for the **version number**. Because the commands and/or syntax **may** change from one firmware version to another, an old configuration file may be incompatible with the current version. By entering a version number, the transfer will be aborted and the user notified to check if the commands are compatible with the current firmware version if the version numbers do not match.

The example includes the optional **load default** command. Including **load default** ensures that you always begin a configuration from the factory default settings.

The example also uses the **redirect** command, which redirects standard output to the attached printer. This allows the user to monitor the commands as they are being executed. Without the **redirect** command, users will be unable to view output from the commands as they are being executed.

It is not possible to generate a text configuration file from an existing binary configuration file in the **/config** directory.

Executing a configuration file using FTP. The following procedure shows how to execute a configuration file using FTP:

1. Change to the local directory where the text configuration file resides.
2. Login to the M307 using **ftp**.

```
ftp ipname
```

3. Login as **root**.

Note: You must be a **root** user in order to FTP files to the **/exec** directory.

4. Change to the **/exec** directory.

```
cd exec
```

5. Copy the text configuration file to the **exec** directory.


```
put filename
```

The M307's parameters are now set according to the commands in the configuration file.

Note: Depending on the specific commands in the configuration file, it may be necessary to **reset** the M307 for the commands to take effect. Basically, the same rules apply whether you are using **nps** to issue commands or a configuration file to issue commands. See [M307 Command Line Interface Shell \(nps\)](#) on page 70 for more information on the rules regarding configuration commands and options.

6. Logout of the FTP session.

```
quit
```

Note: If two FTP clients try to send configuration files to the `/exec` directory at the same time, the second file will fail.

Managing with SNMP

SNMP (Simple Network Management Protocol) is a protocol for network management services. This protocol provides a means for computers (or *agents*) to be managed remotely by *managers*. The level of management depends on the manager and agent. The level of management ranges from providing information such as statistics to providing full management capabilities.

MIB (Management Information Base) files are a description of managed objects available in an agent. MIB files provide the data for the managers so they can remotely manage the agent. A MIB file is simply a formal description of the way an agent can be accessed using SNMP and the functions that can be managed.

The M307 is a fully manageable SNMP agent that supports MIB-II, custom MIBs and traps.

MIB II support

The M307 is MIB II compliant allowing SNMP managers to monitor protocol, network, and routing statistics.

Custom MIBs and traps

The M307 provides a custom MIB definition file, which consists of 150 variables and three traps. This MIB file allows you to monitor and configure the Print Server directly. In fact, the MIB file represents all of the possible configuration options such as destination settings, network configurations, print queue status, loading of defaults, etc.

The M307's custom MIB definition file is included on the CD-ROM supplied with the M307. This file can also be downloaded from the Microplex FTP site:

`ftp.microplex.com`

or can be accessed via the Microplex Web site:

`http://www.microplex.com`

Custom MIB variables

The variables found within the custom MIB definition file describe all information that can possibly be accessed on the M307 by an SNMP manager. These variables can be divided into two groups: system variables and product variables.

System Variables

The first grouping of variables contains general information about the Print Server such as firmware version, serial number, etc. In addition, it includes a trap table that defines what SNMP managers will receive by the traps generated on the M307. The trap table can have up to ten entries, but only the first entry is saved to Flash memory.

Product Variables

The second group of variables contains information defining all of the remaining functionality of the Print Server. The product variables are divided into

- config group** Includes all configuration components such as models, destinations, syslogs, and users.
- status group** Includes all dynamic monitoring components such as print queues, user logins, and other configurations.
- command group** Includes the save, load, and reset commands.

Note: These variables can have read, write, or read-write permissions. Along with these permissions, there are other elements that can limit the write access to these variables. Please see *SNMP security* on page 105 and *Users and Passwords* on page 103 for more information.

Custom MIB traps

A trap is an event generated by an agent to indicate a significant event to the manager. By default, the M307 will generate three traps:

- coldstart** A generic trap generated every time the M307 is powered on or reset.
- authenticationFailure** A generic trap generated whenever a disallowed access is attempted.
- lpqIOStatusChanged** The only custom trap. This trap is generated whenever the I/O port's status changes.

Adding an SNMP user

To add a user named **snmp** with **root** privileges, please follow the steps below:

1. Log in to the M307 as a **root** user.

2. Add a user named **snmp**.

```
set user add snmp
```

3. Set the user type to **root**.

```
set user type snmp root
```

4. Set the password for the **snmp** user.

```
set user passwd snmp snmppassword
```

5. Save the changes.

```
save
```

The user **snmp** is now created and *snmppassword* is the only community string that will allow **write** access.

Compiling and monitoring the custom MIB

For read-only SNMP functionality, please follow the steps below:

1. Copy the M307 MIB definition file (**m307mib.txt**) from the CD-ROM supplied with the M307. This file can also be downloaded from the Microplex FTP site (<ftp:microplex.com>) or can be accessed via the Microplex Web site (<http://www.microplex.com>).
2. Compile this MIB description file to work with your SNMP manager.
3. Using your SNMP manager, view the particular MIB variables that you wish to monitor.

Notes: If you are using SunNet Manager, you will need to download a special MIB file (**m307mib.txt.SNM**) from the Microplex FTP site. This file can also be accessed via the Microplex Web site.

If you are using Castle Rock Computing's *SNMPC* package, you will need to rename the MIB variable *UInteger32* to another name such as *U32*.

Writing to the custom MIB

The following example explains how to use the custom MIB variables to set the M307's parameters. For example, to turn on **bb mode** and **onlcr** on the M307's **prn** port, please follow the steps below:

Note: This example assumes that the snmp password has been defined as *custommib*, that the M307's host name is *spike*, and that the SNMP manager is the Tricklelets package.

1. Set up an **snmp** user with **root** privileges on the M307. Please see [Adding an SNMP user](#) on page 115 for details.
2. Issue the following configuration commands using the snmp user's password as the community string.

```
echo "m307IfPrnbbM[1.2]=2" | snmp-set spike custommib  
echo "m307IfOnlcr[1.2]=2" | snmp-set spike custommib
```

Configuring the M307 to send traps to an SNMP manager

The M307 continuously generates traps, but unless the trap table is filled in, no SNMP manager will receive this information. To set the M307 to send traps to a particular SNMP manager, please follow the steps below:

Note: This example assumes that the snmp password has been defined as *custommib*, that the M307's host name is *spike*, and that the SNMP manager is the Tricklelets package.

1. Set up an **snmp** user with **root** privileges on the M307. Please see [Adding an SNMP user](#) on page 115 for details.
2. Set the following M307 trap variables using your SNMP manager. The actual syntax of the commands will depend on the particular SNMP manager you are using.

```
echo "trapCommunity[1]=\"building-A\"" | snmp-set spike  
custmmib
```

where **building-A** is the string that you want the M307 to send with the trap information. This community string has a 14 character maximum.

```
echo "trapDest[1]=192.168.11.11" | snmp-set spike  
custommib
```

where **192.168.11.11** is the IP address of your SNMP manager.

Note: To disable the entry in the trap table, set the IP address to 0.0.0.0

The M307 will now send trap information with the community string *building-A* to the SNMP manager with the IP address *192.168.11.11*. For more information on these trap variables, please see their description in the custom MIB definition file.

Note: The trap table can hold up to ten entries, but only the first entry is stored in Flash memory. If you turn the unit off, you will lose the additional entries.

Troubleshooting Tips

Test pages

To test M307 and printer communications without involving the network, you can run test pages from the M307. See [Step 2: Test connectivity between the Print Server and printer](#) on page 14 for the procedure. Before starting the procedure, note the position of the dipswitches, and return them to that state after running the procedure.

13 M307 SPECIFICATIONS

Hardware and software specifications are described in this chapter.

Hardware specifications are covered in the following sections:

- *Physical Features* on page 118
- *Electrical Details* on page 119
- *M307 LEDs* on page 120
- *Network Interfaces* on page 120
- *Printer Support* on page 121

Software Specifications are covered in the following sections:

- *Standards supported* on page 124
- *TCP port numbers used on the M307* on page 125
- *UDP port numbers used on the M307* on page 125
- *Error conditions* on page 125
- *Variable definitions* on page 126

Physical Features

Dimensions

Metric: Width: 5.5 cm
 Height: 3.0 cm
 Length: 8.5 cm

Imperial: Width: 2.1"
 Height: 1.2"
 Length: 3.25"

Weight: 0.06756 kg or 0.150 lbs, without external transformer.

Environmental details

Operating: 0° C to 50° C
Storage: -40° C to 70° C

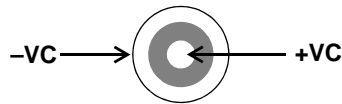
90% maximum humidity, non-condensing.

Electrical Details

Power socket

Figure 27 shows the power socket on the M307 front panel.

Figure 27—Power Socket



Power supply options: External transformer available in 120V/60Hz or 220-240V/50Hz.

Power supply requirements:	Typical	115VAC +/- 10% 36mA, 60Hz 220VAC +/- 10% 18mA, 50/60Hz
	Maximum	115VAC +/- 10% 54mA, 60Hz 220VAC +/- 10% 27mA, 50/60Hz

DC power requirements:	Voltage	6 VDC regulated
	Current, Typical	180 mA
	Current, Maximum	200 mA

Customer-supplied external transformers must be rated at 20 VA or greater for proper operation.

Power consumption:	Typical	1080 mW
	Maximum	1200 mW

FCC warning

This equipment generates, uses and can radiate radio frequency energy. If it is not installed and used as directed in this manual, interference to radio communications may result. The equipment has been tested and found to comply with the limits for a Class A computing device pursuant to Subpart B of Part 15 of FCC rules, which are designed to provide reasonable protection against such interference when operated in a commercial environment. Operation of this equipment in a residential area is likely to cause interference. In such a case, the user will be required to correct the interference at his or her own expense.

CE Mark conformity declaration

The M307 fulfills the requirements for radiated emissions according to limit B of EN55022/1987 and the requirements for immunity according to EN50082-1/1992 residential, commercial, and light industry.

M307 LEDs

STAT System Status
NET Data to Network

Run and auto-reset mode

Run Mode is the normal operating state of the M307. Auto-reset mode is entered when the watchdog timer is triggered and the Print Server has reset itself. The STAT LED flashes differently depending on whether the device's IP address is configured.

Table 12—STAT LED Patterns

FLASH RATE	INDICATES
Green, on once per second (i.e., more off than on)	Normal Mode, IP address configured
Green, on twice per second	IP address not configured
Amber, off once per second (i.e., more on than off)	Download (MOS)
Amber, off twice per second	Download (MOS), no IP address configured
Red, off twice per second	System error

Table 13—NET LED Patterns

FLASH RATE	INDICATES
On	Network link present
Off	Network link not present
Blinking, off 1/3 second	Network link present and transmitting; flashes off 1/3 second each time a packet is transmitted

Network Interfaces

The M307 network interfaces provide compatibility with TCP/ICMP/IP and 802.3 Ethernet protocols with an IEEE 802.3 10/100Base-T UTP Ethernet female RJ45 connector.

Network connector pinouts

Table 14 shows the pinout for the UTP (RJ45) connector.

Table 14—UTP (RJ45) Connector Pinout

Pin	Signal	Source	Pin	Signal	Source
1	TX_D1+	M307	5	BI-D3-	M307
2	TX_D1-	M307	6	RX_D2-	Network
3	RX_D2+	Network	7	BI_D4+	Network
4	BI-D3+	M307	8	BI_D4-	Network

Printer Support

Parallel port (PRN) pinouts

The M307 provides one IBM PC compatible parallel interface (Centronics) female DB25 connector ([Figure 28](#)) that is IEEE 1284-I compliant. DMA-driven state-machine implementation supports data rates in excess of 600,000 characters per second.

Figure 28—Parallel Port (PRN) Connector



The pinout for the parallel port connector is shown in [Table 15](#).

Table 15—Parallel Port (PRN) Pinout

Pin	Signal	Source	Pin	Signal	Source
1	-STROBE	M307	12	PE	Printer
2	DATA 1	M307	13	SLCT	Printer
3	DATA 2	M307	15	not connected	-
4	DATA 3	M307	16	GND	-
5	DATA 4	M307	17	not connected	-
6	DATA 5	M307	18	VCC (optional)	Printer
7	DATA 6	M307	19-30	GND	-
8	DATA 7	M307	31	~INIT	M307
9	DATA 8	M307	32	~ERROR	Printer
10	-ACK	Printer	33-35	GND	-
11	BUSY	Printer	36	~SLCTIN	M307

Parallel port timing in fast and other modes

Diagrams and tables of parameters for parallel port timing in different modes are provided below.

Figure 29—Parallel Port Timing in Fast Mode

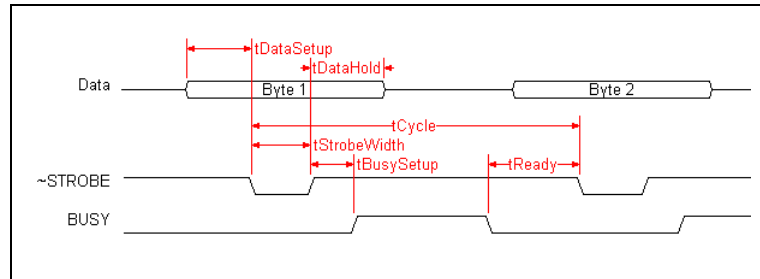


Table 16—Parallel Port Timing in Fast Mode

#	Parameter	fast (μ S)			Comment
		min	max	typ	
1	Data Setup	-	-	1	Time data driven before asserting \sim STROBE
2	Strobe Width	-	-	1	Width of \sim STROBE signal assertion
3	Data Hold	1	-	-	Time data held on bus after negation of \sim STROBE
4	BusySetup	-	1	-	Time in which BUSY must be asserted by peripheral (if it wishes to do so) after \sim STROBE negated
5	Ready	1	-	-	Period from negation of BUSY until \sim STROBE asserted for next character
6	Cycle	5	-	-	Minimum time between consecutive characters if BUSY is not asserted or asserted for a negligible period of time by the peripheral

Figure 30—Parallel Port Timing in Other Modes Diagram

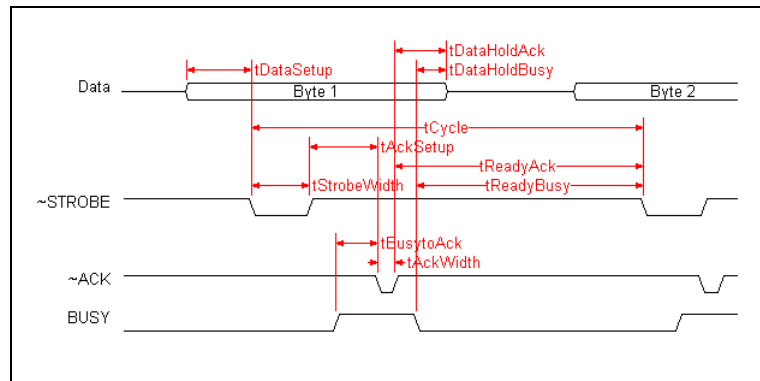


Table 17—Parallel Port Timing in Other Modes

#	Parameter	pc (μS)			cen (μS)			slow (μS)		
		min	max	typ	min	max	typ	min	max	typ
1	Data Setup	-	-	0.5	-	-	1.0	-	-	4.0
2	Strobe Width	-	-	0.5	-	-	1.0	-	-	4.0
3	Data HoldAck	0	-	-	0	-	-	0	-	-
4	DataHoldBusy	0	-	-	0	-	-	0	-	-
5	AckSetup	0.1	-	-	0.1	-	-	0.1	-	-
6	BusytoAck	0	-	-	0	-	-	0	-	-
7	AckWidth	0.1	-	-	0.1	-	-	0.1	-	-
8	ReadyAck	1.5	-	-	1.0	-	-	6.0	-	-
9	Ready Busy	1.5	-	-	1.0	-	-	6.0	-	-
10	Cycle Time	2.5	-	-	5.0	-	-	20.0	-	-

Note: Please refer to [Table 18](#) on page 124 for a description of the parameters.

Table 18—Definition of Parameters (except Fast Mode)

	Parameter	Comment
1	DataSetup	Time data driven before asserting ~STROBE
2	StrobeWidth	Width of ~STROBE signal assertion
3	DataHoldAck	Time data held on the on bus after peripheral negates ~ACK
4	DataHoldBusy	Time data held on bus after peripheral negates BUSY
5	AckSetup	Minimum length of time after ~STROBE is negated that ~ACK may be asserted by a peripheral
6	BusytoAck	Minimum period of time that ~ACK may be asserted after BUSY (if BUSY must be asserted) in order for BUSY signal to be recognized after assertion of ~ACK
7	AckWidth	Period which ~ACK must be asserted by peripheral to be recognized by the Print Server
8	ReadyAck	Period from negation of ~ACK until ~STROBE asserted for next character
9	ReadyBusy	Period from negation of BUSY until ~STROBE asserted for next character
10	Cycle	Minimum time between consecutive characters if BUSY is not asserted or asserted for a negligible period of time by the peripheral

Software Specifications

Standards supported

ARC	Ethernet Address Control Protocol
ARP	Address Resolution Protocol
BOOTP	Bootstrap Protocol
FTP	File Transfer Protocol
GOSIP RFC-1042	Government Open Systems Interconnection Profile
ICMP	Internet Control Message Protocol
IP	Internet Protocol
LPD	Line Printer Daemon Protocol
PAP	Printer Access Protocol
SNMP	Simple Network Management Protocol
SMTP	Simple Mail Transfer Protocol
RARP	Reverse Address Resolution Protocol
RSHD	Remote Shell Daemon
TCP	Transmission Control Protocol
TELNET	Telnet Protocol
UDP	User Datagram Protocol

TCP port numbers used on the M307

20	TCP Protocol for FTPD (data)
21	TCP Protocol for FTPD (control)
23	TCP Protocol for TELNETD port
514	TCP Protocol Remote Command daemon port
515	TCP Protocol BSD 4.3 LPD port
4010	TCP Protocol PRN port for logging
4400	TCP Protocol PRN port (d1prn)
9100	TCP Protocol PRN port (d2prn)

Note: Client application software can send raw data to PRN by opening a socket to the associated TCP port number as defined above. Such connections are queued along with print jobs using other print methods (e.g., LPR/LPD).

UDP port numbers used on the M307

161	UDP port for SNMP
514	SYSLOG client support
68	BOOTP client port

Error conditions

Firmware panic	Unrecoverable errors detected by the M307 firmware force it into panic mode. Manually reset the M307 to resume normal operation.
Watchdog halt	The watchdog timer is a hardware device that resets the system if not serviced regularly by the CPU. Its purpose is to prevent the CPU from entering an infinite loop because of a hardware or firmware problem. After a watchdog interrupt, some diagnostic information is saved for debugging and the device resumes operation in Auto-reset Mode. The M307 will auto-reset up to 16 times before entering non-operational Watchdog Halt.
Spurious halt	Unsupported interrupts force the M307 into this non-operational mode and typically indicate a hardware problem.
Hardware exception	Internal errors such as bus errors, address errors, or illegal instructions force the M307 into this non-operational mode.

Variable definitions

Table 19—Variable Definitions

Name	Hexadecimal	Description
BS	08	backspace
FF	0C	formfeed
CR	0D	carriage return
SP	20	space
LF	0A	linefeed
TAB	09	tab
ESC	1B	escape
DEL	7F	delete
EOT	04	end of transmission
NUL	00	NULL character
PCL-POP	1B 26 6C 30 4F	portrait page orientation
PCL-POL	1B 26 6C 31 4F	landscape page orientation
PCL-PORP	1B 26 6C 32 4F	reverse portrait page orientation
PCL-PORL	1B 26 6C 33 4F	reverse landscape page orientation
PCL-PSZ1	1B 26 6C 31 41	executive page size
PCL-PSZ2	1B 26 6C 32 41	letter page size
PCL-PSZ3	1B 26 6C 33 41	legal page size
PCL-PSZ4	1B 26 6C 32 36 41	A4 page size
PCL-PSRC0	1B 26 6C 30 48	eject page paper source
PCL-PSRC1	1B 26 6C 31 48	upper tray paper source
PCL-PSRC2	1B 26 6C 32 48	manual feed paper source
PCL-PSRC3	1B 26 6C 33 48	manual envelope feed paper source
PCL-PSRC4	1B 26 6C 34 48	lower tray paper source
PCL-PSRC6	1B 26 6C 36 48	envelope feeder paper source
PCL-PDST1	1B 26 6C 31 47	upper output bin paper destination
PCL-PDST2	1B 26 6C 32 47	reader output bin paper destination
PCL-RST	1B 45	printer reset
PCL-JSEP	1B 26 6C 31 54	job separation
HP3-SWPCL	1B 25 2D 31 32 33 34 35 58 40 50 4A 4C 20 45 4E 54 45 52 20 4C 41 4E 47 55 41 47 45 20 3D 20 50 43 4C 0A	PCL-5 PJL command to switch printer into PCL Language mode

Table 19—Variable Definitions

Name	Hexadecimal	Description
HP3-SWPS	1B 25 2D 31 32 33 34 35 58 40 50 4A 4C 20 45 4E 54 45 52 20 4C 41 4E 47 55 41 47 45 20 3D 20 50 6F 73 74 53 63 72 69 70 74 0A	PCL-5 PJI command to switch printer into PostScript Language mode
PAC-SWPCL	1B 26 6C 31 30 35 37 2E 33 32 32 35 39 4A	PacificPage PE cartridge command to switch printer into PCL Language mode
PAC-SWPS	1B 26 6C 35 30 35 37 2E 31 30 35 38 4A	PacificPage PE cartridge command to switch printer into PostScript Language mode

14 GETTING HELP

This chapter identifies other sources of Help for installing and configuring your M307 Print Server and defines the repair procedure.

Help Methods Available

"Troubleshooting Tips" sections

Troubleshooting tips are listed at the end of each network configuration chapter. These are the most commonly asked relevant questions. There are additional troubleshooting tips in the appendices as well.

Web site

Microplex's Web site, <http://www.microplex.com>, contains information about the company and its products. You will find a link to the Technical Support page that contains the "Support Shack", a central location for technical bulletins and firmware and software histories and files.

FTP site

Microplex's FTP site, [ftp.microplex.com](ftp://ftp.microplex.com), contains firmware and software for the M307. Once logged in anonymously, you will need to change to the M307 directory. Here, you will find several subdirectories pointing to software, firmware, documentation, and miscellaneous files.

Contacting Microplex

If you need technical assistance from Microplex, please have this information on hand:

- M307 serial number found on the bottom of the Print Server.
- Description of your network environment and peripherals attached.
- Description of the problem.

Contact options

Email support@microplex.com

Fax to "Support" at +1 604 468-2445

Call +1 604 468-2444 and select Technical Support from the list of options (#3)

Note: Email queries will have the fastest response time.

Repair Procedure

Warranty description

Microplex Systems Ltd. warrants this product to be free from defects in workmanship and material for **one (1) year** from the time of the original purchase date.

During this period, Microplex will repair or replace a defective product with a new or rebuilt product at no extra charge except as stipulated below.

At no time shall Microplex's liability exceed the replacement cost of the subject item.

All expressed and implied warranties for this product including all warranties of Merchantability, Suitability, and Fitness for a particular application are limited to **one (1) year** from the original purchase date. In no event shall Microplex be liable for Loss of Use, Loss of Profits or Revenues, or other Indirect, Incidental, or Consequential Damages. This warranty *does not imply the right to loaner or replacement units during the time required to perform repairs.*

This warranty *does not* cover any losses or damage caused by:

- shipping,
- improper installation, use, or maintenance,
- unauthorized repair, modification, alteration, or replacement of components,
- excessive environmental conditions including electrical power surges, temperature, humidity, or any other irregularities,
- negligence or abuse.

Returning for repair

To obtain service under this warranty, you must *first* contact Microplex's Technical Support department to rule out configuration errors. A Support Technician will ensure the problem is related to the hardware. If so, a Return Merchandise Authorization (RMA) number will be given to you by the technician. The defective product should then be returned to Microplex for repair.

Please use the following guidelines when shipping goods back for warranty claim:

- Package the product securely, in original packaging if possible, to prevent damage during shipping.
- Indicate the RMA number clearly on the address label of the shipping carton.

14. Getting Help

Repair Procedure

- Include a copy of the invoice/receipt.
- You may use any courier company. However, we recommend using Federal Express due to its lower charges for customs.

Note: Under a normal warranty repair, Microplex will only pay for the shipping charges to return the M307 to you.

If you ship from a country other than Canada, type (on any paper) a commercial invoice containing the following information:

- your address
- Microplex's address (as "consignee")
- country of origin of the product (i.e., Canada)
- number of packages in the shipment
- description of the product
- quantity
- total value of shipment (i.e., your total purchase price)
- reason for return (e.g., warranty repair)
- a declaration.

Canada Customs requires that this invoice accompany the returned product. For an example, refer to [Figure 31](#).

Download a copy from the Web site:

<http://www.microplex.com/support/docs/ComInvoice.html>

Figure 31—Sample Commercial Invoice

COMMERCIAL INVOICE from			
Leslie Smith			
ABC Corporation			
1234 Western Parkway			
Anycity, NC			
USA, 27511			
DATE OF EXPORT: 22/02/96			
AIR WAYBILL NO: 123-12341234			
CONSIGNEE:			
Microplex Systems Ltd.			
301- 2071 Kingsway Avenue			
Port Coquitlam, B.C.			
V3C 6N2, Canada			
IMPORTER (if other than consignee)			
same as consignee			
COUNTRY OF ORIGIN: Canada			
# OF			TOTAL
PKGS	DESCRIPTION	QTY	VALUE
1	Ethernet Print Server	1	100.00
REASON FOR RETURN: warranty repair			
I declare all information contained in this invoice to be true and correct.			
_____	Leslie Smith	24/03/2002	
SIGNATURE	NAME	DATE	

15 GLOSSARY

ARP	<i>Address Resolution Protocol.</i> Associates a selected IP address with a network device's Ethernet address.
Banner page	A page printed before the print job that includes details about the job.
BPS	Bits per second.
Centronics	Parallel port interface standard found on most printers.
Daemon	A continuously running process that handles system-wide functions such as print spooling.
Default router	A network device that allows communication to and from external subnets by forwarding any IP packets accordingly.
Destination	Logical print queue on the M307 to which hosts send their print jobs. There are four destinations on the M307: d1prn, d2prn, d3prn, and d4prn.
DHCP	<i>Dynamic Host Configuration Protocol.</i> Allows a network device to discover its IP address dynamically upon bootup.
DNS	Domain Name Server. Host providing responses to queries for a given host name's IP address.
EEPROM	<i>Electrically-Erasable, Programmable Read-Only Memory.</i> Preserves data after power is removed. Also known as Flash memory.
Factory defaults	Print server settings shipped with the M307.
Flash	Permanent memory in the EEPROM. Stores firmware code and configurable settings. Allows for upgrades without replacing hardware inside the M307.
FTP	<i>File Transfer Protocol.</i> Used for transferring files from one TCP/IP host to another and used in the upgrade process.
Header strings	Strings that precede print jobs; used to control the printer and set printing options.
HTML	<i>HyperText Markup Language.</i> Format used for documents viewable on the World Wide Web.
HTTP	<i>HyperText Transport Protocol.</i> Protocol used for the delivery of Web pages.
IEEE	<i>Institute of Electrical and Electronics Engineers.</i>
Ifnum	<i>Interface Number.</i> Represents the network interface. This will be "1" for an Ethernet network.
Interface script	UNIX host filter file that processes the print job before it is sent over the network to the M307.

I/O port	Port for attaching peripherals. The M307 provides one: PRN.
syslog	Determines type of print job and printer logging needed per job.
LPD/LPR	<i>Line Printer Daemon</i> . The most common TCP/IP remote printing protocol.
MIB	Management Information Base. A set of variables (a database) managed by an SNMP manager application.
Model	Defines how a print job should be processed (e.g., banner pages added or ASCII to PostScript conversion) as it passes through the M307. One model is associated with every destination.
Netmask	see <i>subnet mask</i> .
Npsh	Extensive built-in command line interface shell within the M307.
PDF	<i>Portable Document Format</i> . Encodes different types of documents enabling them to be read across multiple platforms.
Ping	A program used to test reachability of destinations by sending them an ICMP echo request and waiting for a reply. It is a standard command to test a TCP/IP connection. (e.g., ping 192.168.11.9)
Print path	The three-stage path that a print job takes when it is sent from a host to a printer through the M307.
RAM	<i>Random Access Memory</i> . Volatile memory within the M307 that contains current/working settings. Settings are lost once the power is removed.
RARP	<i>Reverse Address Resolution Protocol</i> . Allows a network device to discover its IP address dynamically upon bootup. The IP address does not need to be stored within the device permanently.
Router	A device that forwards IP packets to their destination. Also called a gateway. See <i>Default Router</i> .
Serial number	Number found on the bottom of the M307. Each M307 is assigned a unique serial number.
SNMP	<i>Simple Network Management Protocol</i> . A standard protocol used to monitor network devices called "SNMP agents".
Socket	TCP connection between two hosts consisting of a source and destination TCP port number at each end.
Spooling	Storing data in memory or in a file until it can be printed.
Subnet mask	A binary value used to divide IP networks into smaller subnetworks or subnets. This mask is used to help determine whether IP packets need to be forwarded to other subnets.
Tar	UNIX command for archiving data onto a permanent storage medium.
TCP/IP	<i>Transmission Control Protocol/Internet Protocol</i> . Suite of protocols that act as the base protocol for the Internet.

TCP port	A logical connection point in the software of a TCP host or device. When two IP devices talk, they establish a socket, which consists of a source and destination TCP port number on both ends.
Telnet	Command and protocol to establish a terminal connection between two hosts on an IP network.
Trailer strings	Strings that follow print jobs; used to control the printer and set printing options.
Waldo	TCP/IP configuration utility provided with the M307 print server.